



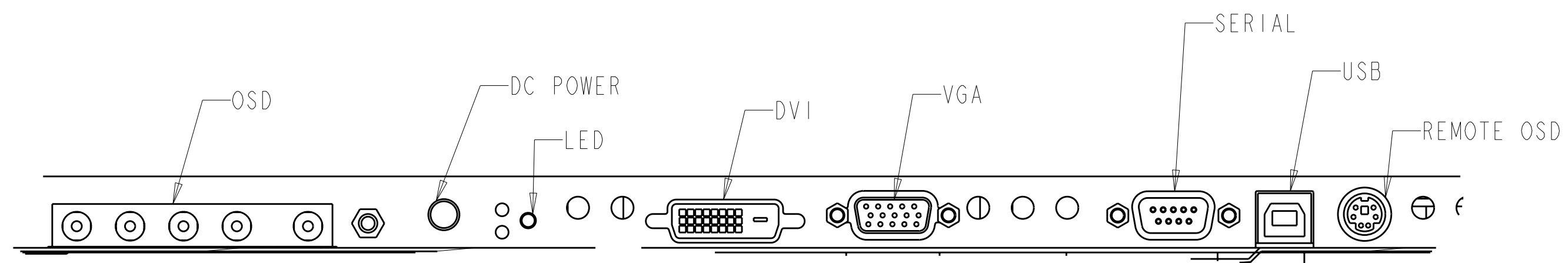
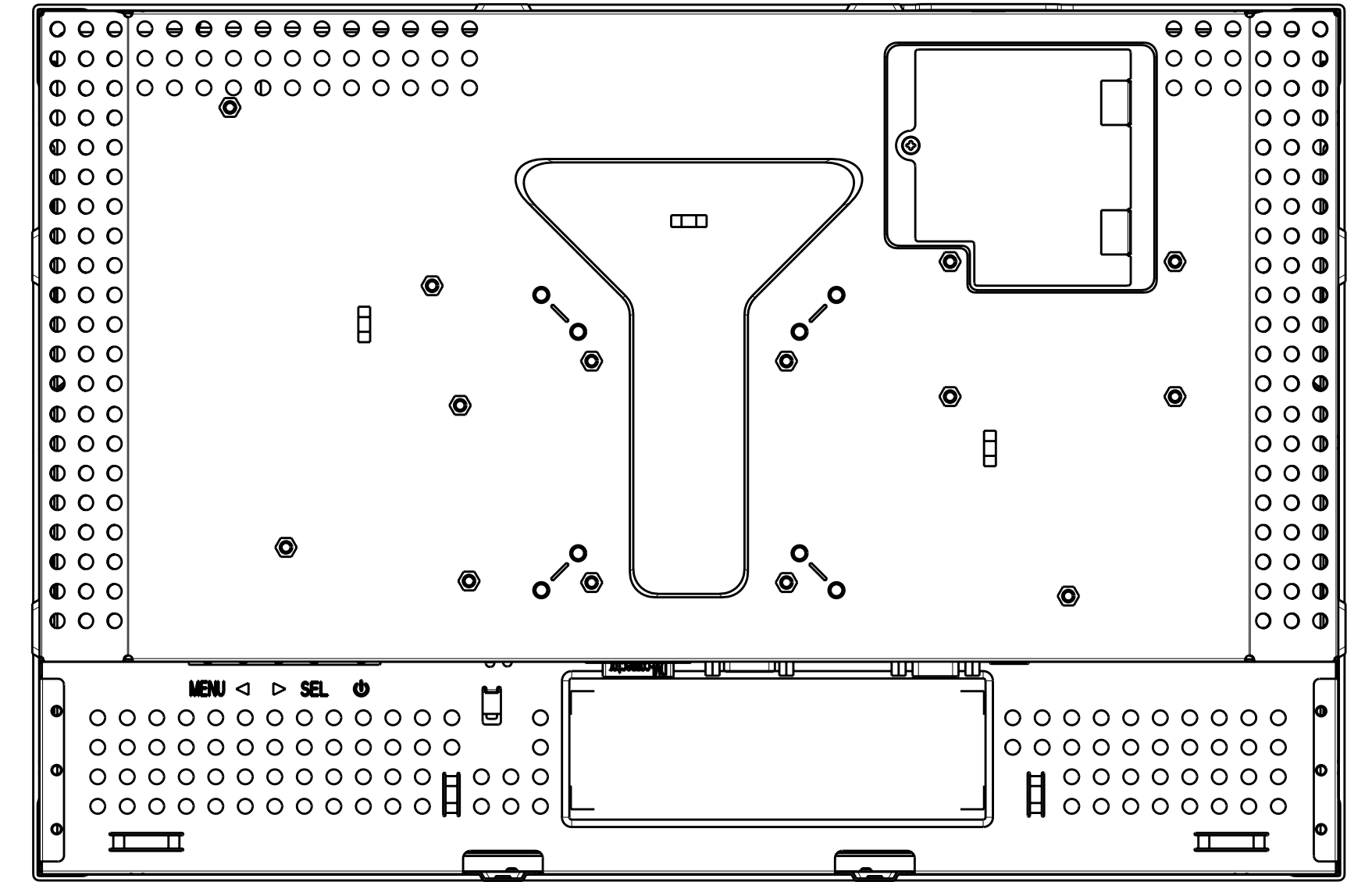
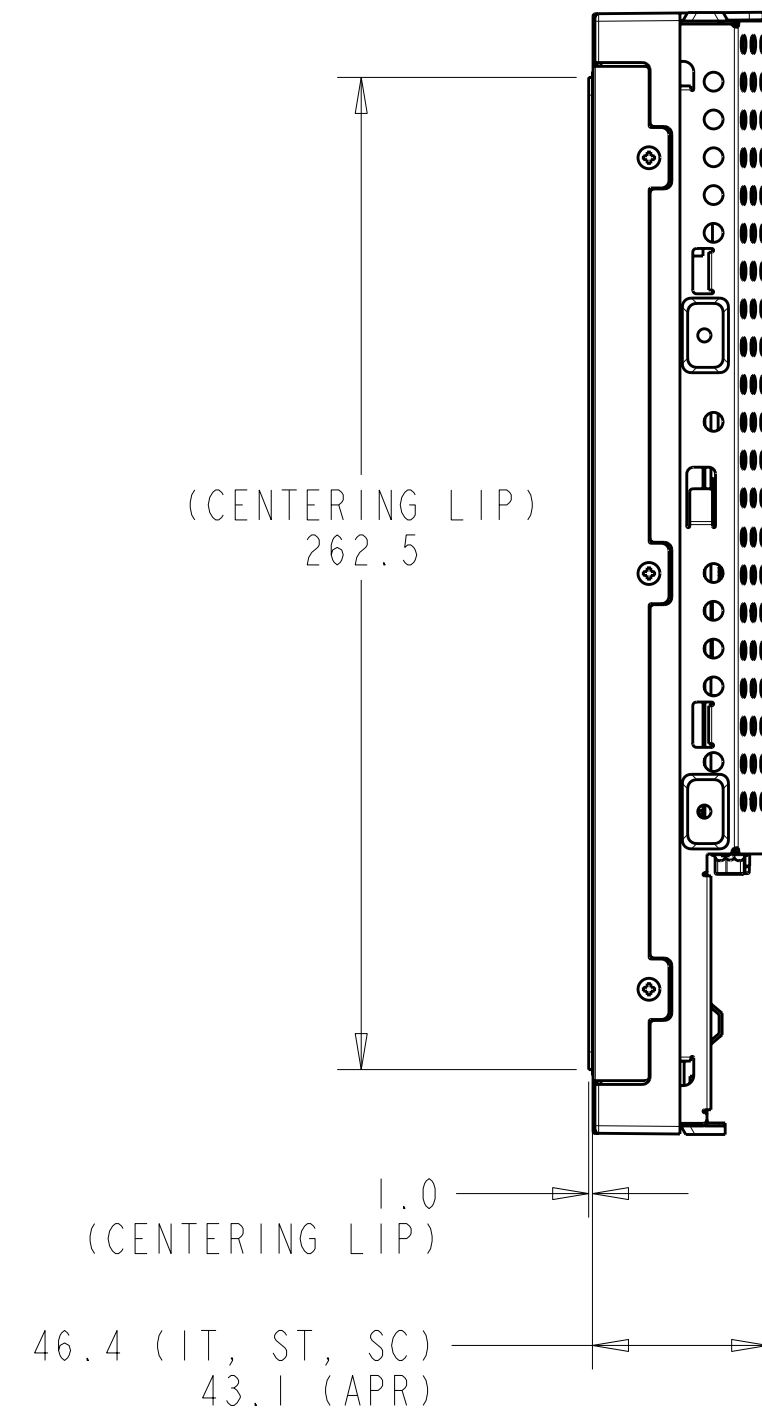
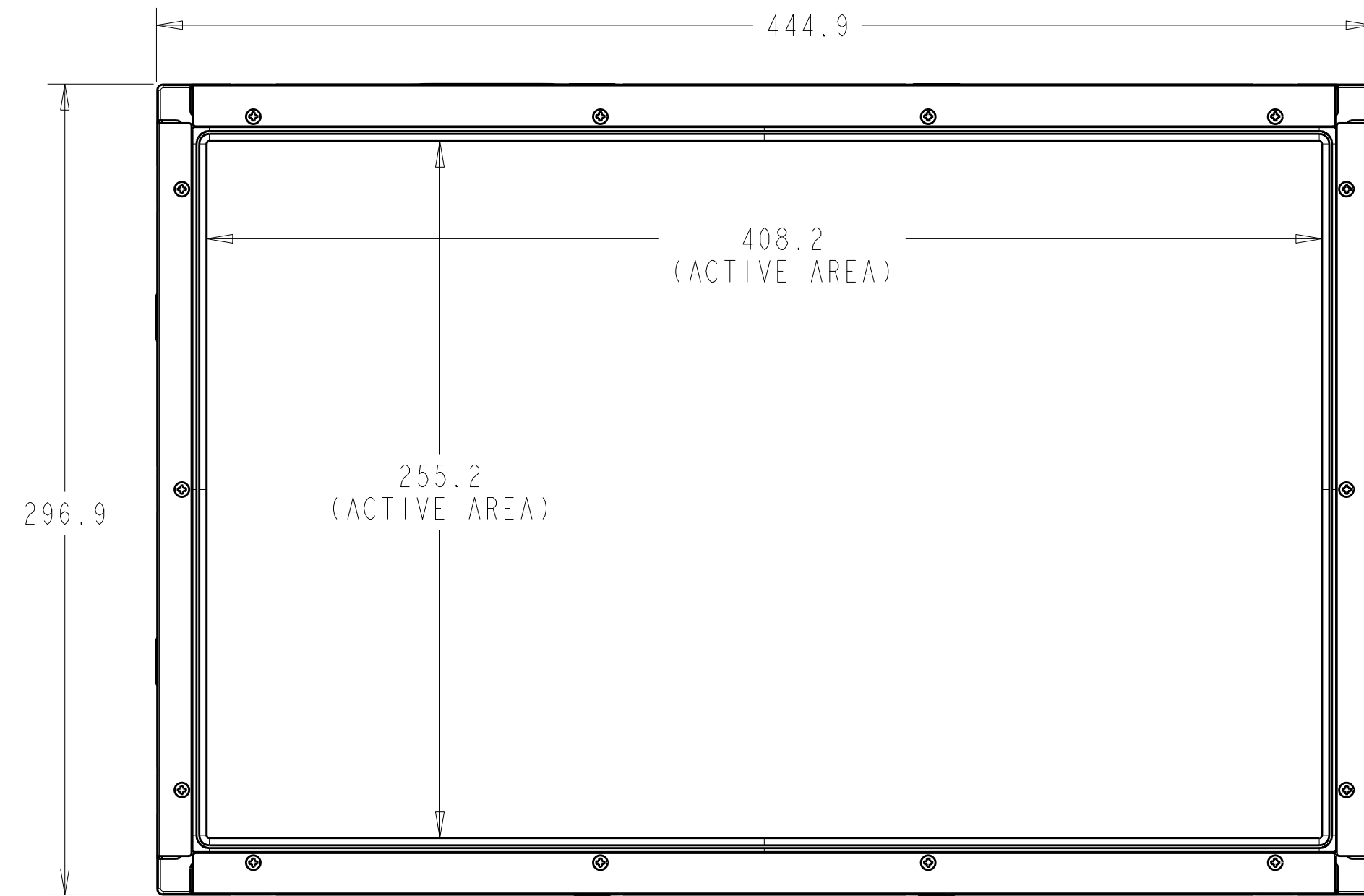
# Monitor Touch Screen

## Elo Touch 1938L

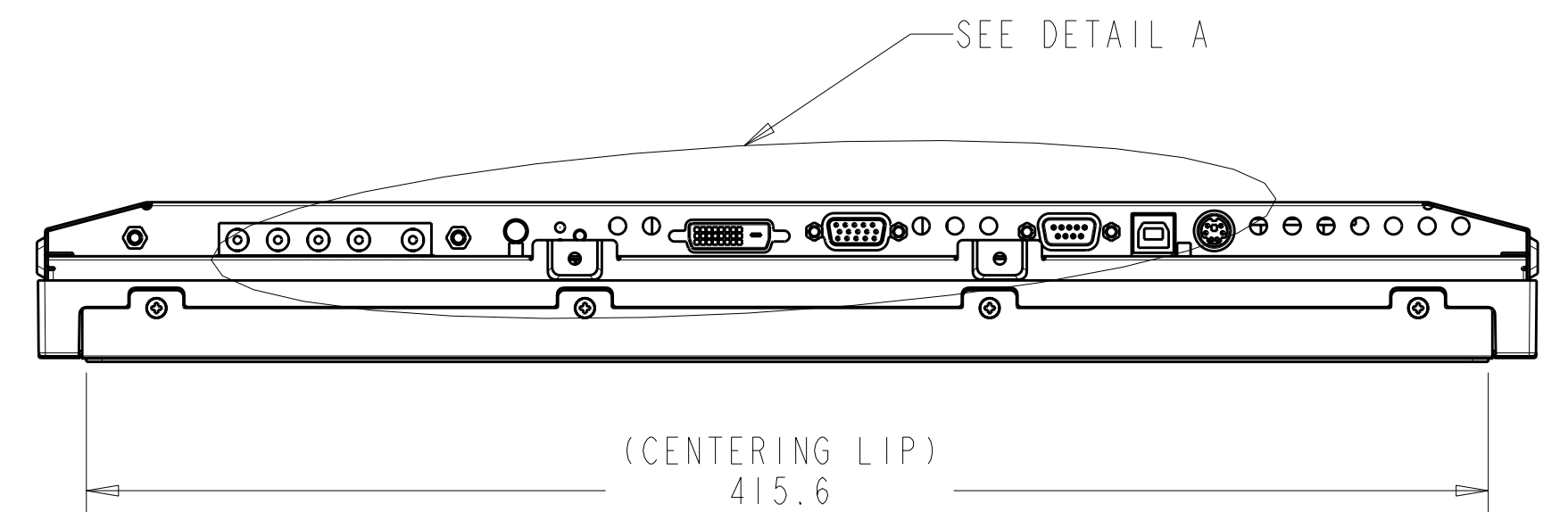
O monitor Elo Touch 1938L é um produto fabricado com materiais extremamente resistentes, possui vedação para suportar derramamentos de água, gordura e poeira, tudo isso para gerar um longo ciclo de vida, diminuindo tempo de inatividade e custos com manutenção.

[www.bztech.com.br](http://www.bztech.com.br)

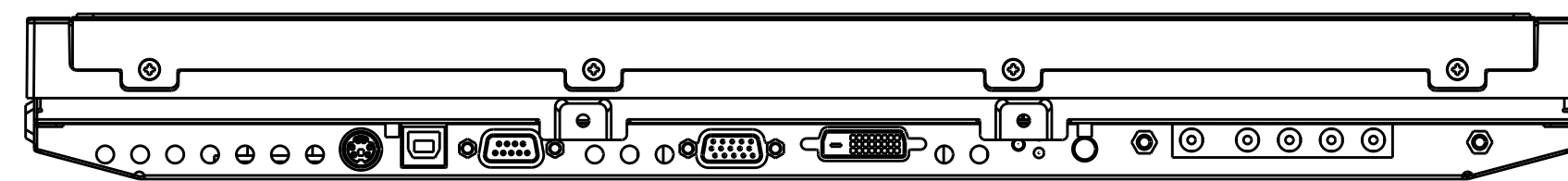
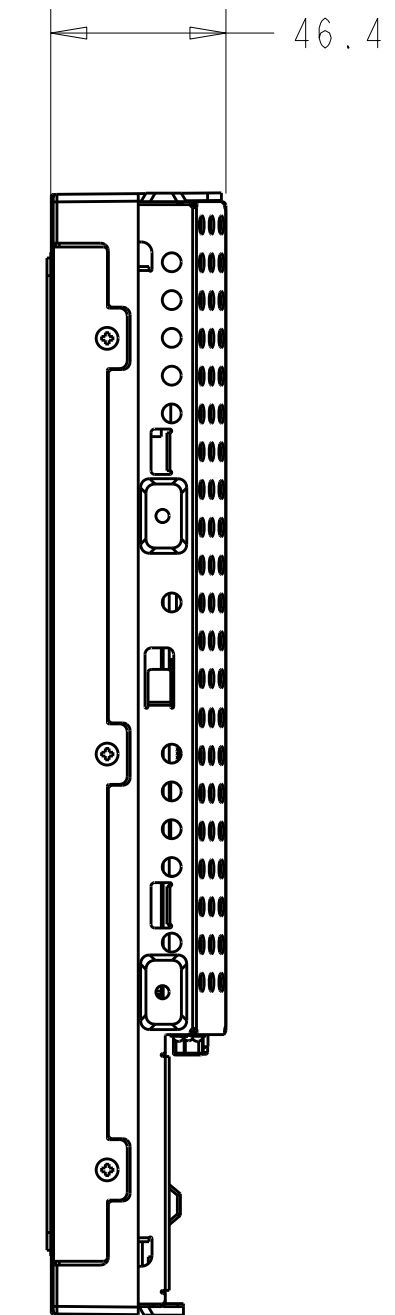
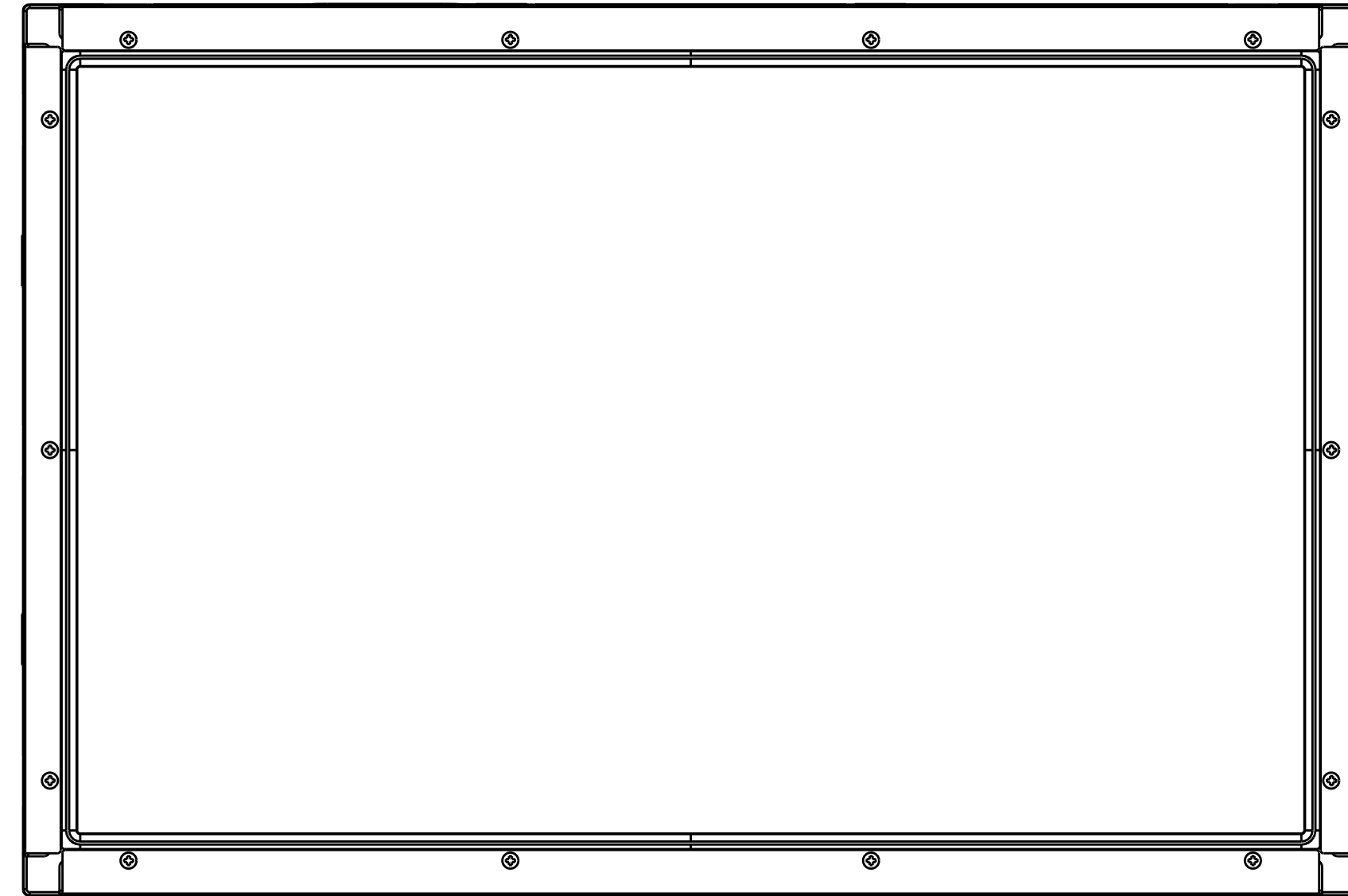
- NOTES:  
 1. ALL DIMENSIONS ARE +/- 1.0MM UNLESS NOTED.  
 2. DIMENSIONS SHOWN ARE FOR ALL TOUCH TECHNOLOGIES UNLESS NOTED.



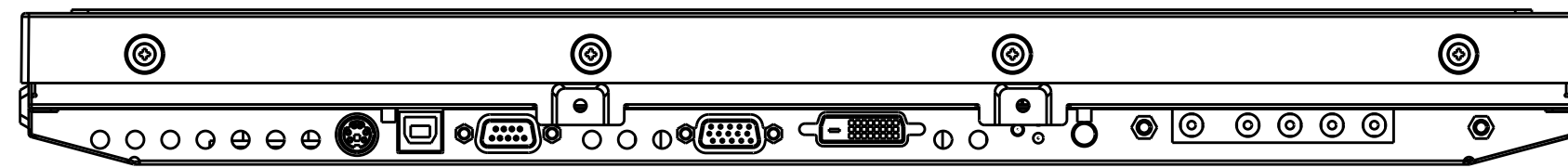
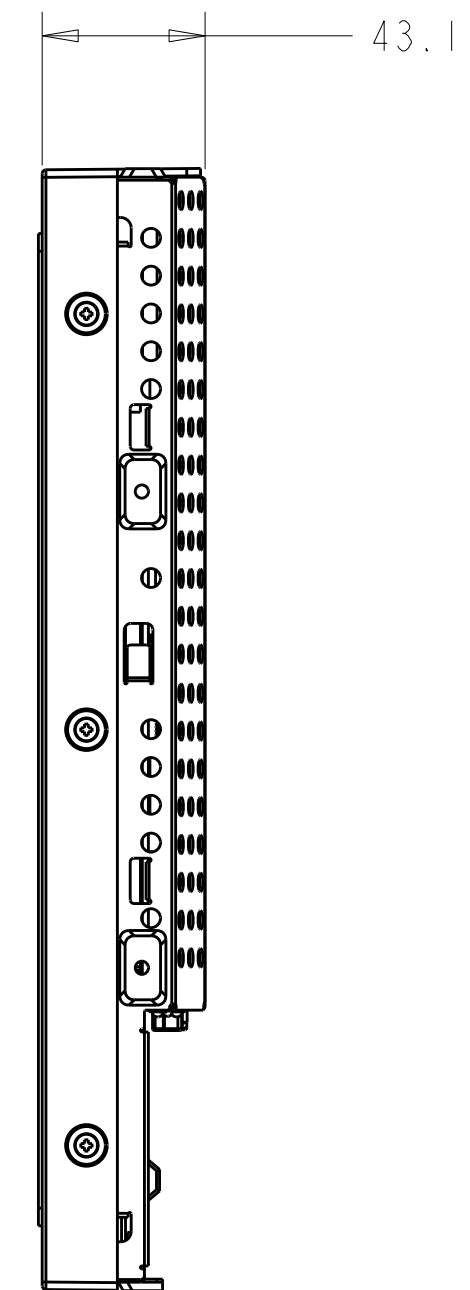
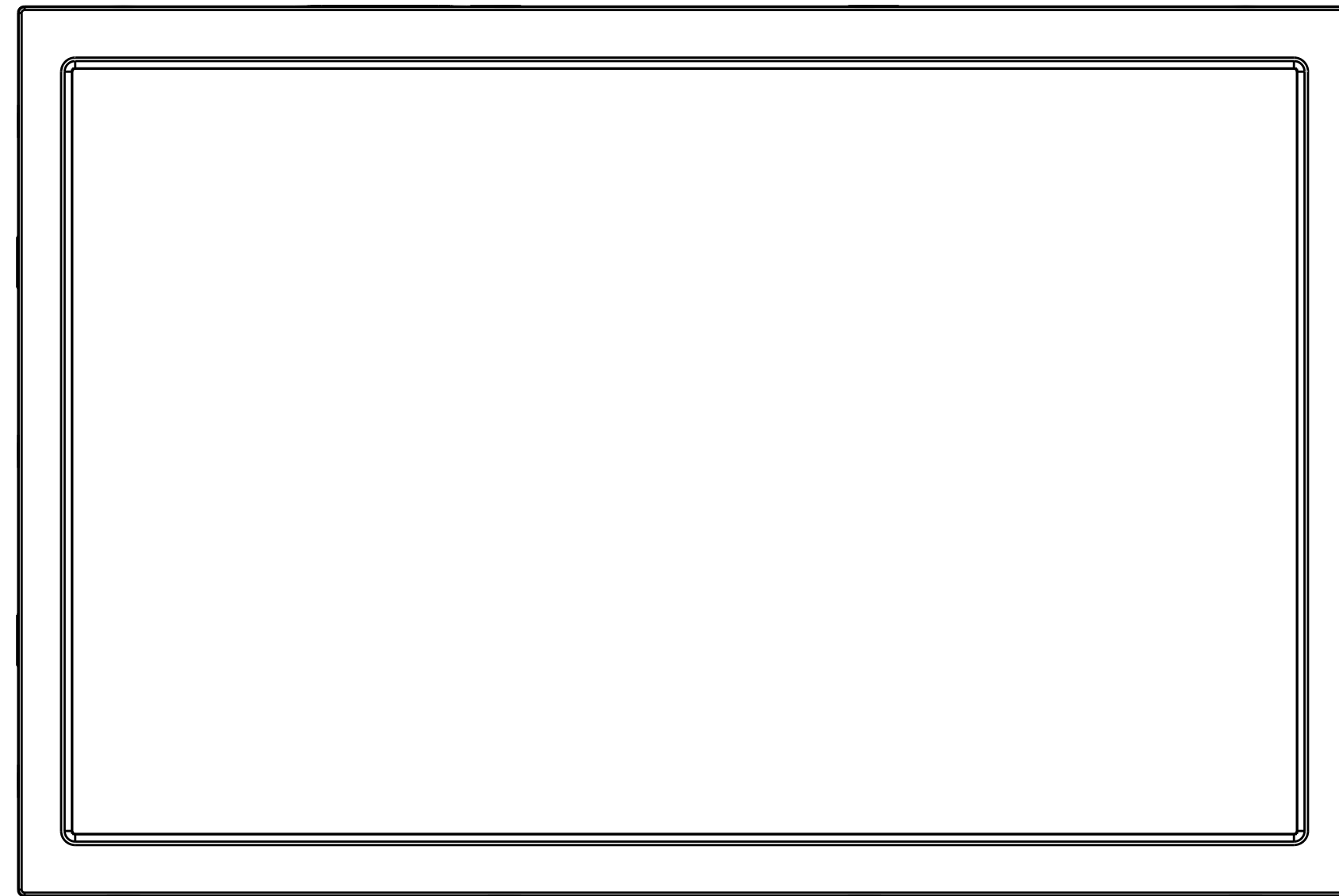
**DETAIL A**  
 SCALE 1.000



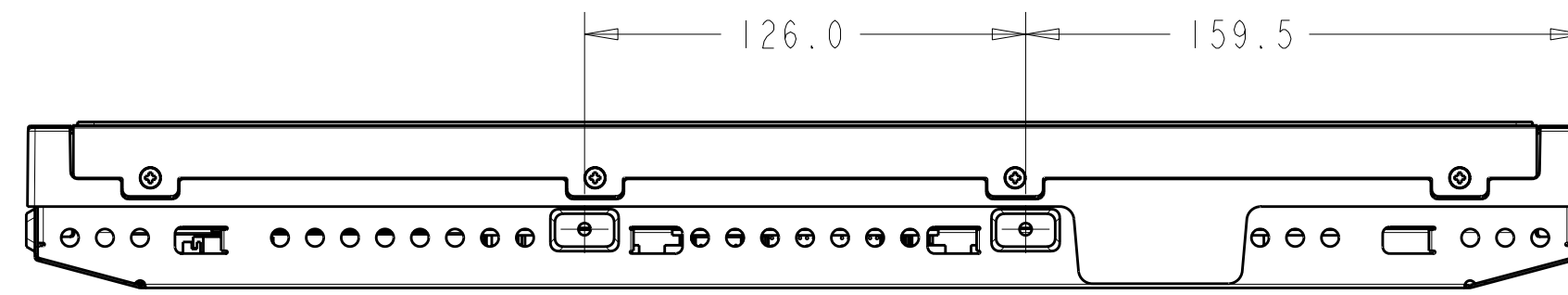
INTELLITOUCH, SECURE TOUCH,  
SURFACE CAPACITIVE OPTION



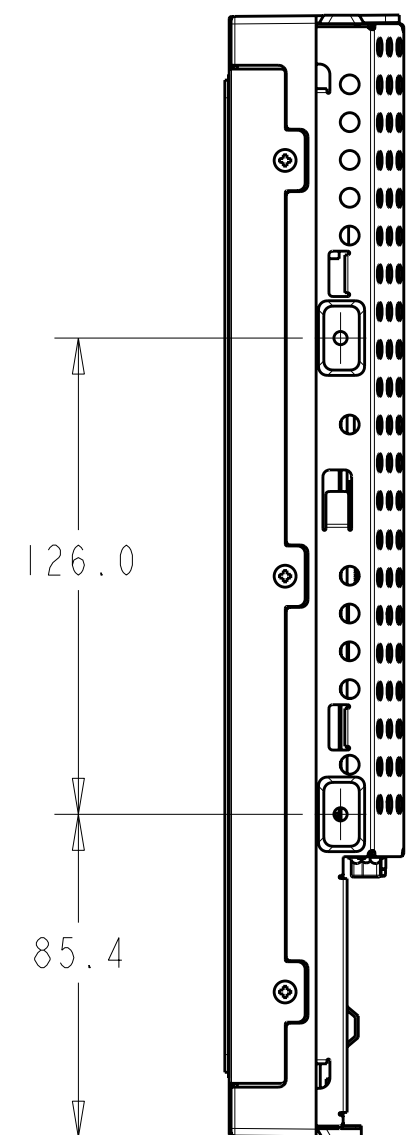
APR OPTION



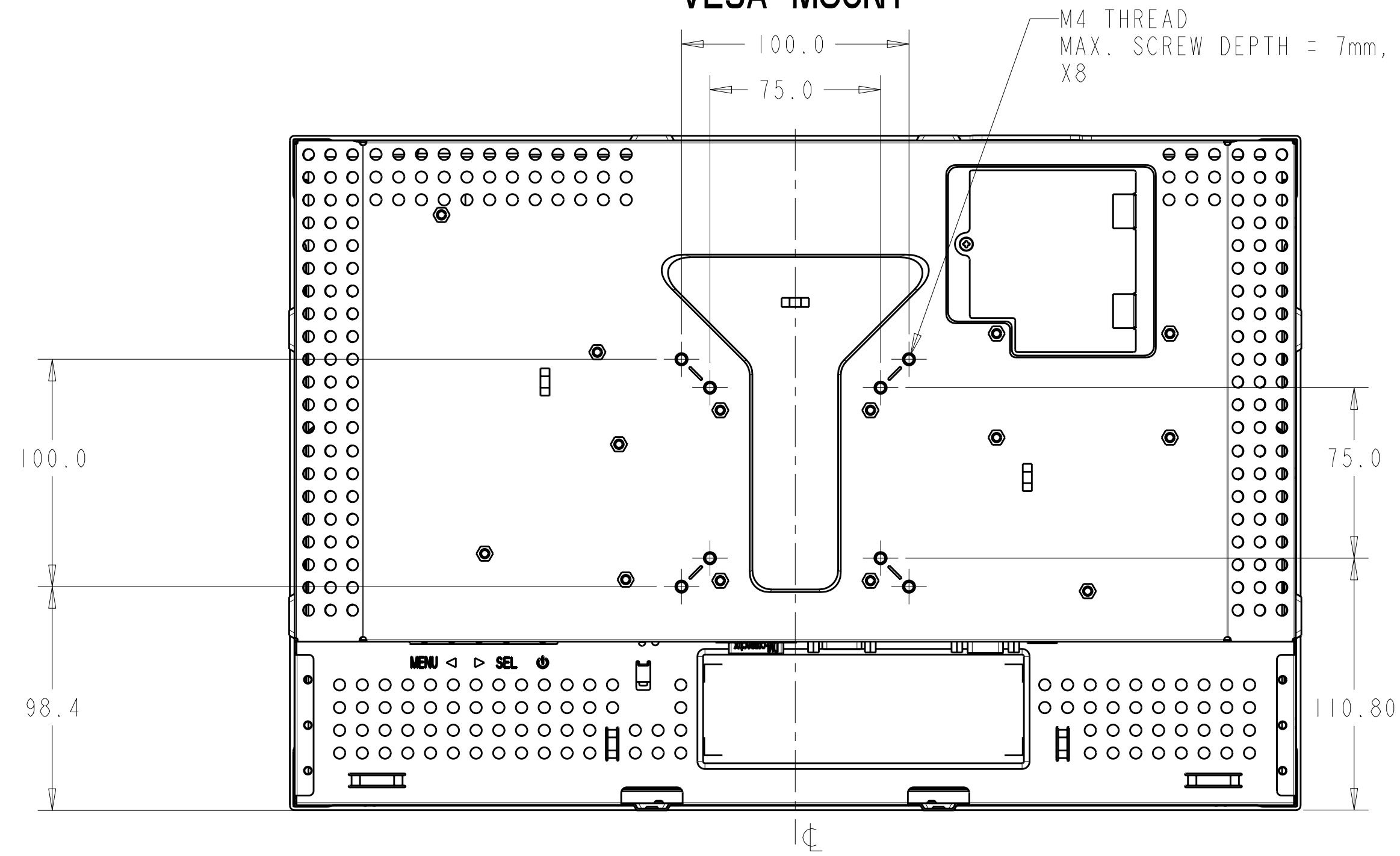
SIDE MOUNT,  
HORIZONTAL



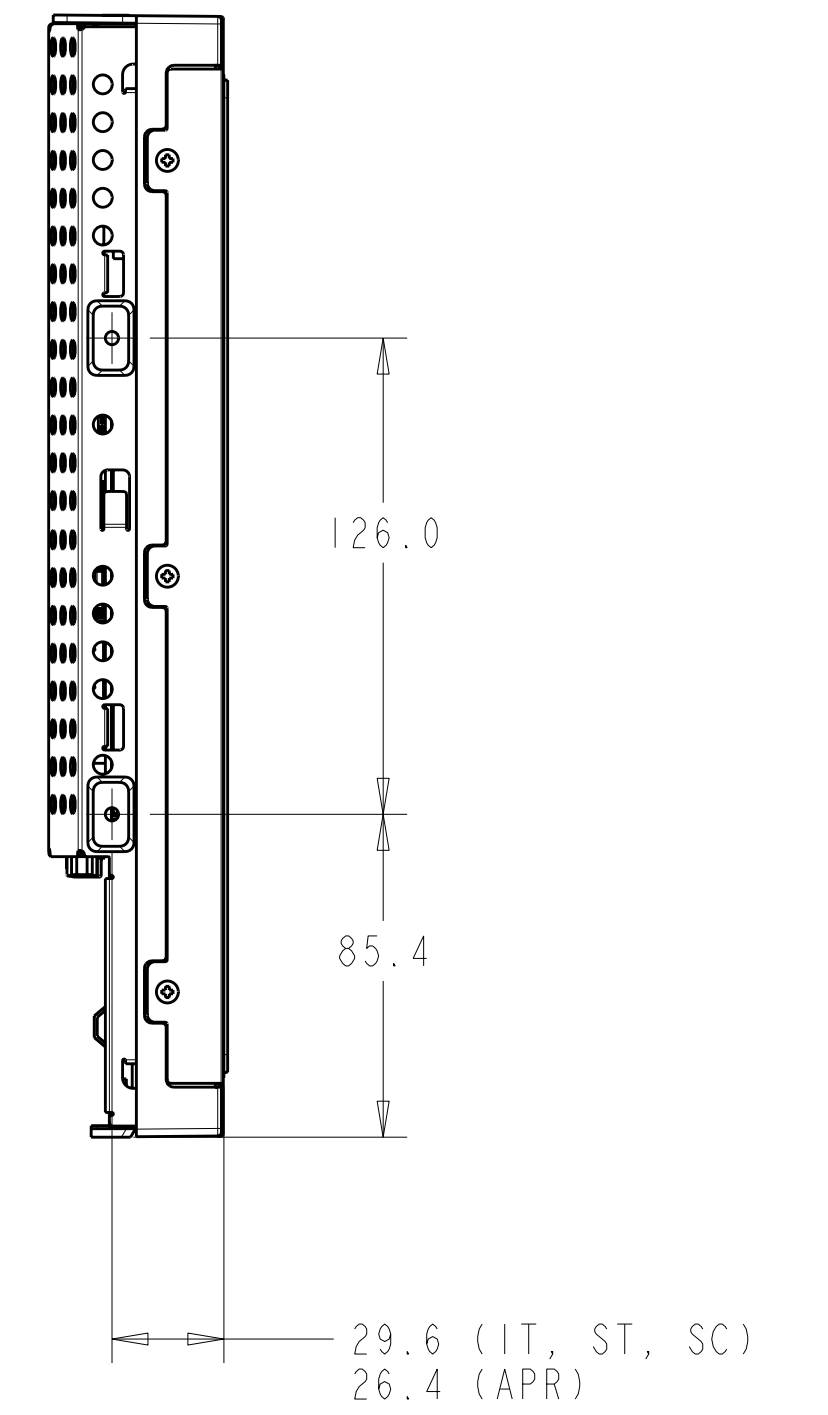
SIDE MOUNT,  
VERTICAL



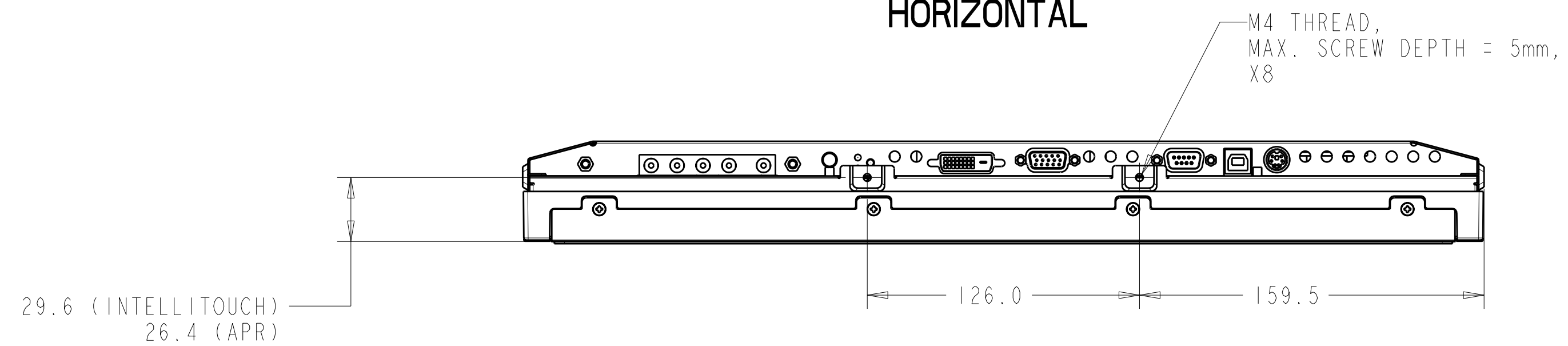
VESA MOUNT



SIDE MOUNT,  
VERTICAL



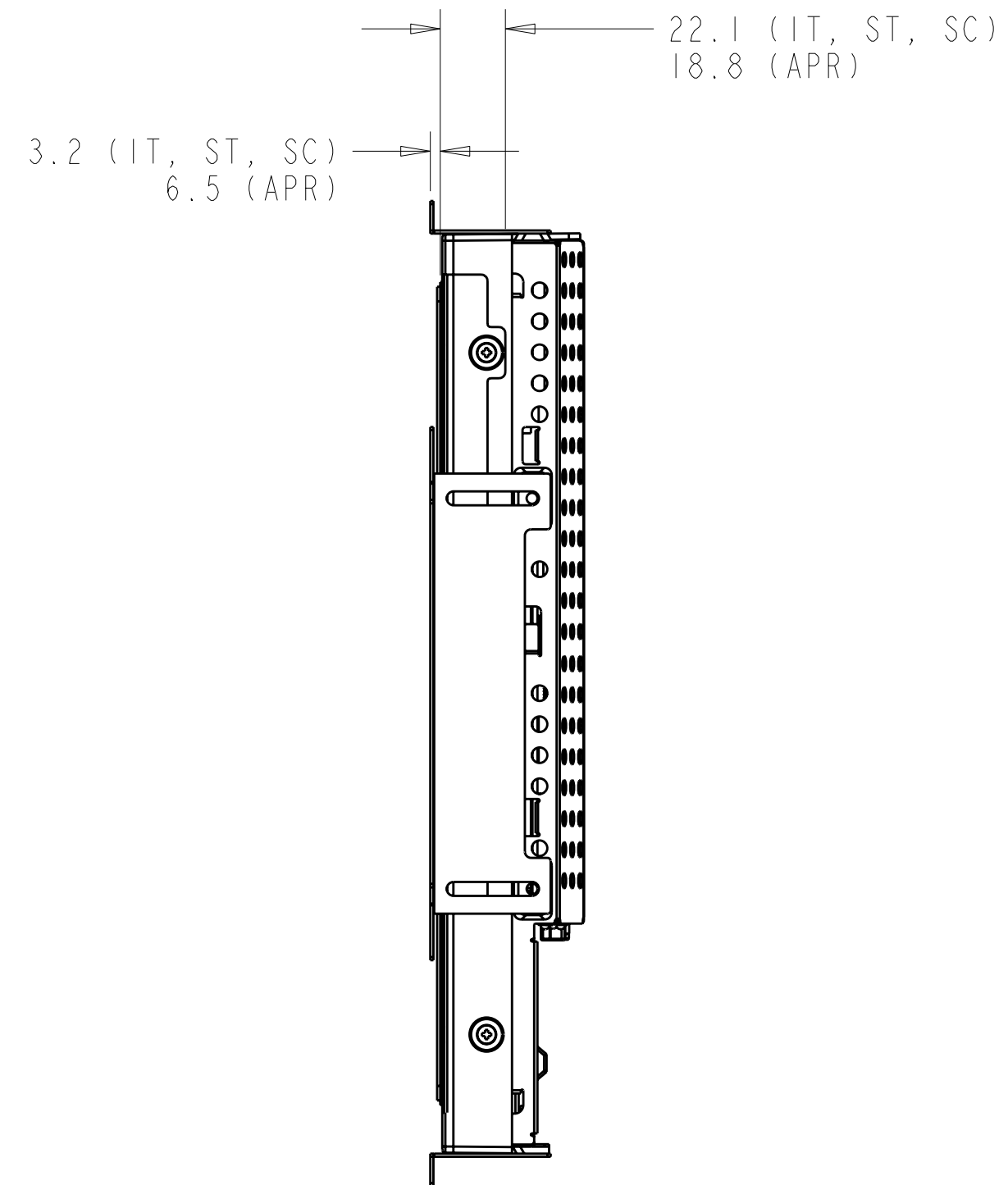
SIDE MOUNT,  
HORIZONTAL



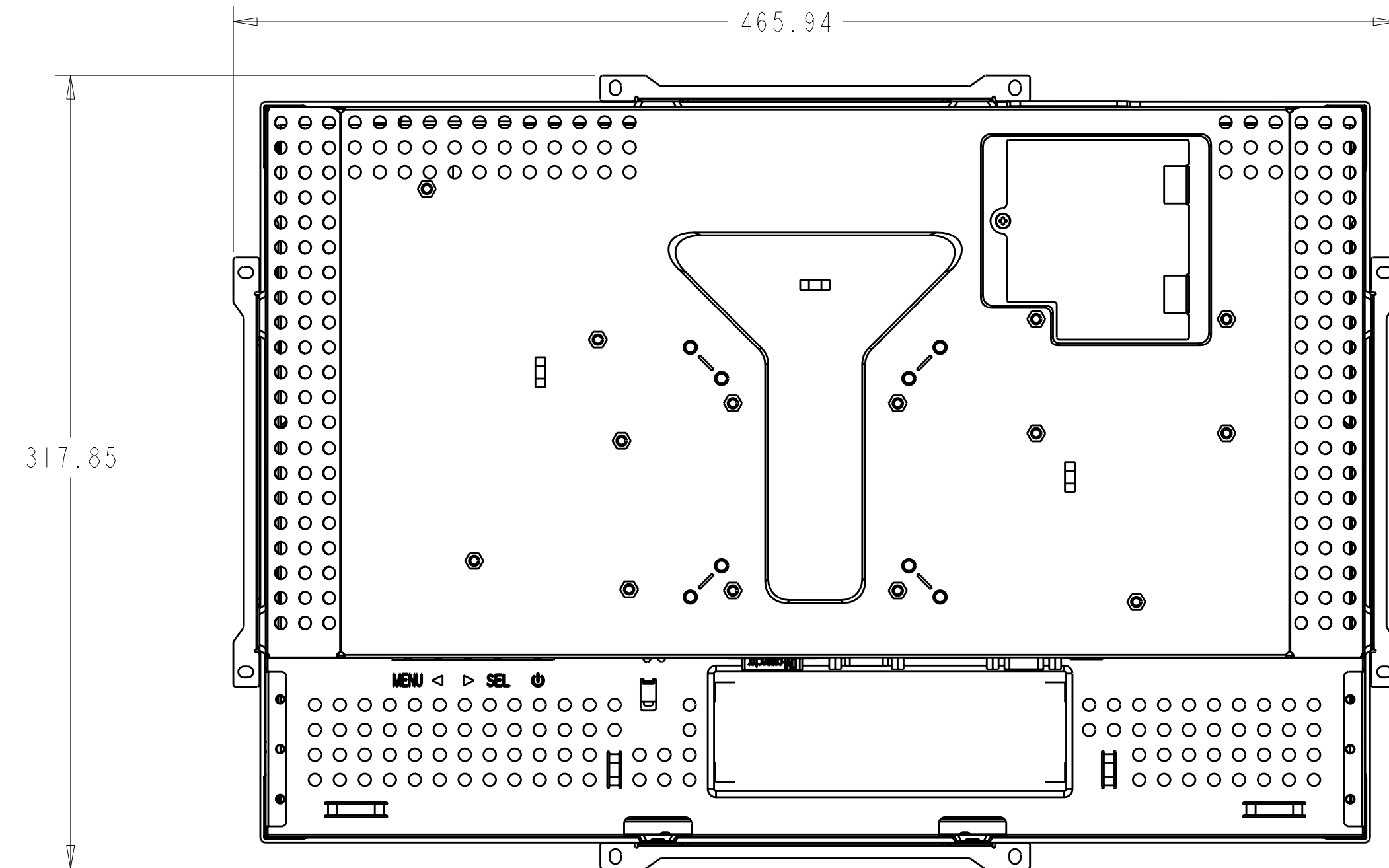
NOTE A  
CUSTOMER PANEL MATERIAL:

- WOOD:  $\varnothing 4.5\text{mm}$  HOLES THRU FOR M4 SCREWS W/NUTS, OR, NO THRU HOLES, SCREWS FOR WOOD 4mm.
- SHEET METAL: CONCEALED HEAD THREADED STUDS M4 W/NUTS.

**MOUNTING BRACKET  
ADJUSTMENT RANGE**



**REAR MOUNT WITH BRACKETS  
HORIZONTAL AND VERTICAL**



**RECOMMENDED CUSTOMER  
PANEL CUT-OUT (SEE NOTE A)**

