

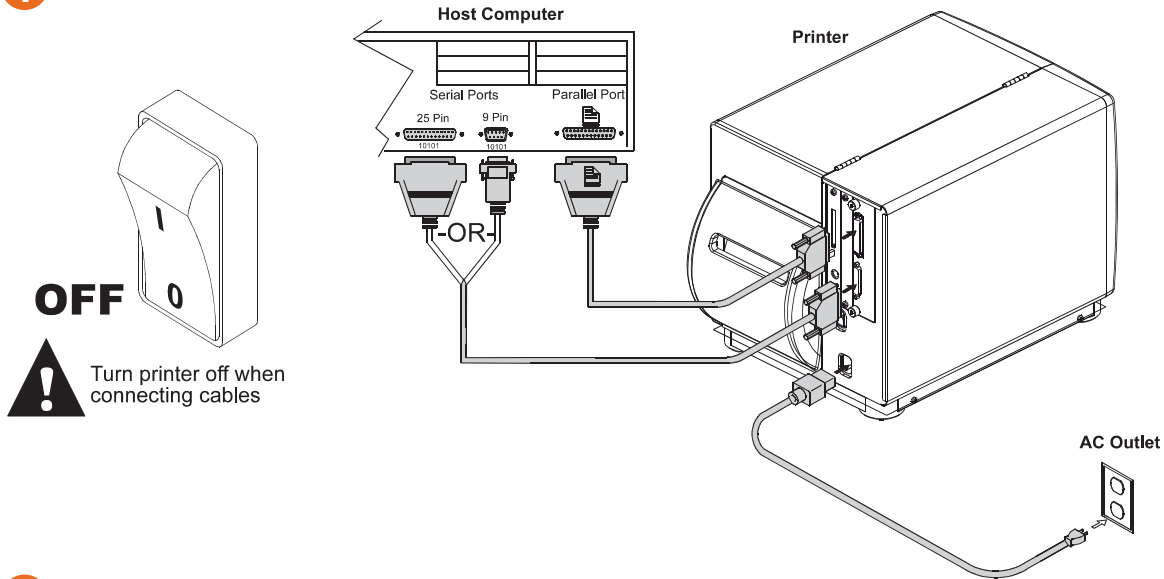


Impressora Datamax I-Class Mark II

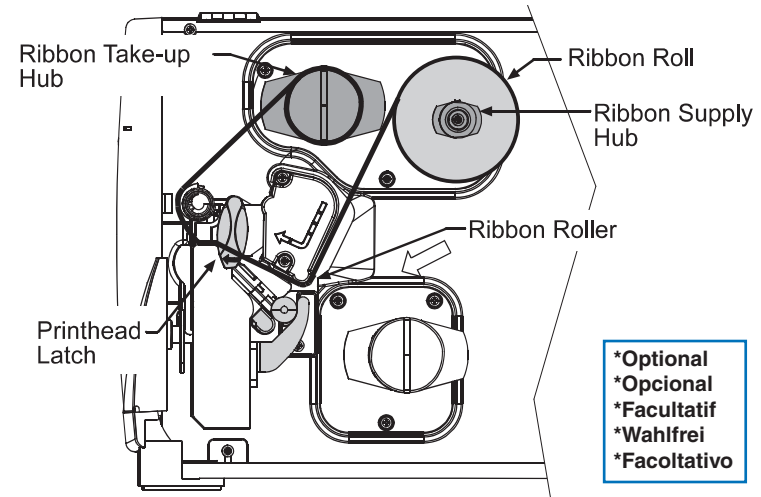
As impressoras Datamax O'Neil I-Class são as mais velozes dentre suas concorrentes. Atingem 12 pol/seg. de velocidade de impressão. São as impressoras ideais para grandes volumes de impressão de etiquetas.



1



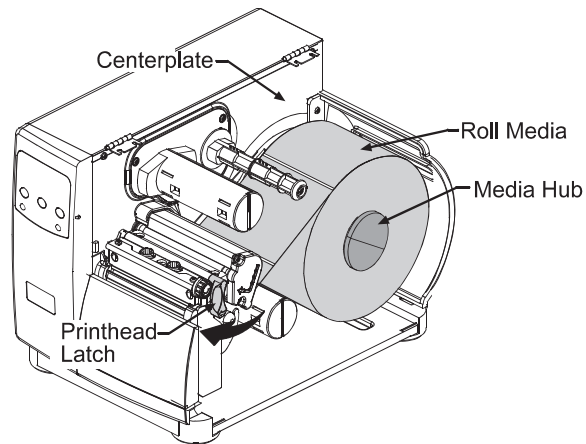
2



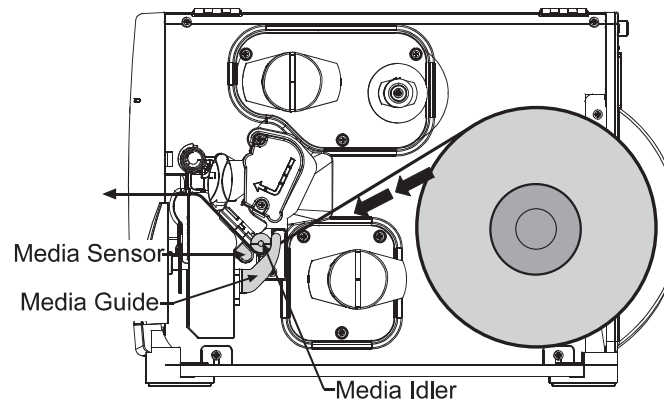
- Rotate the Printhead Latch and raise the printhead
- Slide the ribbon onto Ribbon Supply Hub
- Route the Ribbon as shown
- Wrap the ribbon around the Ribbon Take-up Hub
- Close the printhead and rotate the Ribbon Take-up Hub to remove the slack in the ribbon

*Optional
*Opcional
*Facultatif
*Wahlfrei
*Facoltativo

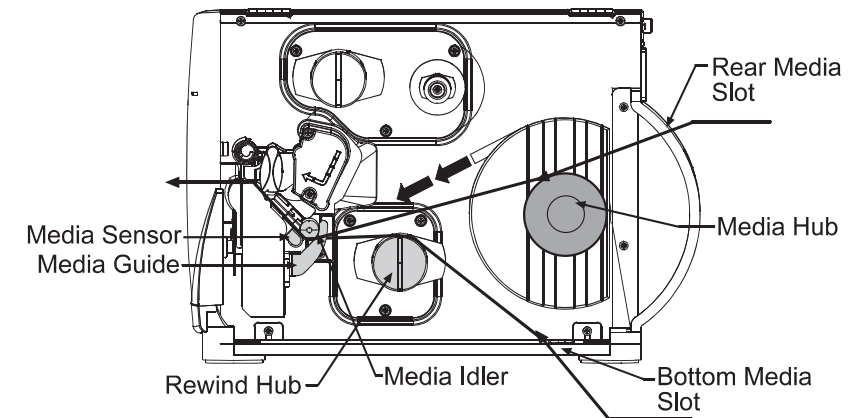
3



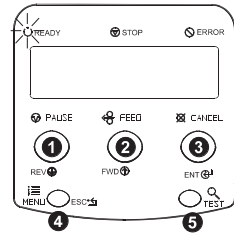
- Rotate the Printhead Latch and raise the printhead
- Slide the Roll Media onto the Media Hub
- Route the Media as shown →



Internal Media Loading



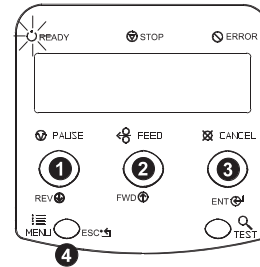
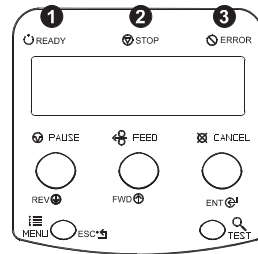
External Media Loading

Ready Mode:

- ➊ **Pause:** Toggles the pause condition.
- ➋ **Feed:** The FEED button feeds a label, and clears any faults that have been corrected.
- ➌ **Cancel:** Cancels a job and pauses the printer.
- ➍ **Menu:** Toggles between the ready and menu mode.
- ➎ **Test:** Enables the quick test mode, see the Operators Manual for additional information.

Menu Mode:

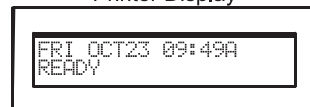
- ➏ **Arrow Up:** Moves to the next item in the menu tree, (increase values).
- ➐ **Arrow Down:** Moves to the previous item in the menu mode, (decrease values).
- ➑ **Enter:** Selects a displayed item or value.
- ➒ **ESC:** Moves to the previous menu level.

**Indicators:**

- ➓ **Ready:** On indicates ready, blinking indicates menu mode.
- ➔ **Stop:** On indicates paused state.
- ➖ **Error:** On indicates a fault. To clear a fault press the feed button.

With the Printer On, and loaded with media (at least 4 inches wide):

Printer Display



- Verify the printer is in the 'Ready Mode' ➔
- Press the **TEST** button.
- Using the **FWD** button scroll to 'Print Config Label'. Press the **TEST** button again, after a brief hesitation the printer will print one Configuration Label.



Be sure to follow and perform the suggested Cleaning Schedule listed in the Operator's Manual.

For more information on custom programming or any of the topics referred to in this guide, see the Operator's Manual and Programmer's Manual on the CD-ROM provided.



Asegúrese de seguir y llevar a cabo el plan de limpieza recomendado descrito en el Manual del operador.

Para obtener más información sobre la programación personalizada o cualquiera de los temas expuestos en esta guía, consulte el Manual del operador y el manual del programador que se encuentran en el CD-ROM suministrado.



Befolgen Sie bitte genau den im Benutzerhandbuch empfohlenen Reinigungsplan.

Weitere Hinweise zu benutzerspezifischen Einstellungen oder in dieser Anleitung erwähnten Themen finden Sie im Benutzerhandbuch und im Programmierhandbuch auf der mitgelieferten CD-ROM.



Veillez à effectuer les nettoyages selon l'échéancier prévu dans le Manuel de l'utilisateur.

Se reporter au Manuel de l'utilisateur et au Manuel du programmeur fournis sur le CD-ROM pour plus d'informations sur la programmation personnalisée ou tout autre sujet abordé dans le présent document.



Assicurarsi che vengano eseguite regolarmente le procedure di pulizia secondo i tempi indicati nel manuale dell'operatore .

Per ulteriori informazioni sulla programmazione personalizzata o su qualsiasi altro argomento contenuto in questa guida, consultare il manuale dell'operatore ed il manuale del programmatore sul CD-ROM in dotazione.