



Monitor Touch Screen Elo Touch ET1715L

O monitor touchscreen 1715L da ELO foi projetado e fabricado para fornecer a melhor relação de custo-benefício para integradores de sistemas e aplicações de automação.

www.bztech.com.br



Touchmonitor User Guide

1715L 17" LCD Desktop Touchmonitor
1000 Series

User Guide

17" LCD Desktop

ET1715L Series

Revision C

P/N E183495

Copyright © 2008 Tyco Electronics. All Rights Reserved.

No part of this publication may be reproduced, transmitted, transcribed, stored in a retrieval system, or translated into any language or computer language, in any form or by any means, including, but not limited to, electronic, magnetic, optical, chemical, manual, or otherwise without prior written permission of Elo TouchSystems.

Disclaimer

The information in this document is subject to change without notice. Elo TouchSystems makes no representations or warranties with respect to the contents hereof, and specifically disclaims any implied warranties of merchantability or fitness for a particular purpose. Elo TouchSystems reserves the right to revise this publication and to make changes from time to time in the content hereof without obligation of Elo TouchSystems to notify any person of such revisions or changes.

Trademark Acknowledgments

IntelliTouch, SecureTouch, AccuTouch, and MonitorMouse are trademarks of Elo TouchSystems. Other product names mentioned herein may be trademarks or registered trademarks of their respective companies. Elo TouchSystems claims no interest in trademarks other than its own.

Table of Contents

| | |
|--|-----------|
| Chapter 1 | |
| Introduction | 7 |
| Product Description | 7 |
| Precautions | 7 |
| Chapter 2 | |
| Installation and Setup | 9 |
| Unpacking Your Touchmonitor | 9 |
| Product Overview | 10 |
| Main Unit | 10 |
| Rear View | 10 |
| Touch Interface Connection | 11 |
| Installing the Driver Software | 12 |
| Installing the Serial Touch Driver | 13 |
| Installing the Serial Touch Driver for Windows XP, Windows 2000, Me, 95/98 and NT 4.0 | 13 |
| Installing the Serial Touch Driver for MS-DOS and Windows 3.1 | 14 |
| Installing the USB Touch Driver | 15 |
| Installing the USB Touch Driver for Windows XP, Windows 2000, Me, 95/98 and NT 4.0 | 15 |
| Installing APR USB Touch Driver for Windows XP | 16 |
| Chapter 3 | |
| Operation | 17 |
| About Touchmonitor Adjustments | 17 |
| Front Panel Controls | 18 |
| Controls and Adjustment | 19 |
| OSD Menu Functions | 19 |
| OSD Control Options | 20 |
| Preset Modes | 21 |
| Power Management System | 22 |
| Display Angle | 22 |
| Chapter 4 | |
| Troubleshooting | 23 |
| Solutions to Common Problems | 23 |
| Appendix A | |
| Native Resolution | 25 |
| Appendix B | |
| Care and Handling of Your Touchmonitor | 28 |
| Appendix C | |
| Touchmonitor Specifications | 30 |
| IntelliTouch Touchmonitor Specifications | 31 |
| AccuTouch Touchmonitor Specifications | 32 |
| Surface Capacity Touchscreen Specifications | 33 |
| Acoustic Pulse Recognition Specifications | 34 |
| 17" LCD Touchmonitor (ET1715L-XXWA-1-G) Dimensions | 35 |
| Regulatory Information | 37 |
| Warranty | 39 |
| Index | 42 |

1

INTRODUCTION

Product Description

Your new touchmonitor combines the reliable performance of touch technology with the latest advances in LCD display design. This combination of features creates a natural flow of information between a user and your touchmonitor.

This LCD monitor incorporates 17" color active matrix thin-film-transistor (TFT) liquid crystal display to provide superior display performance. A maximum resolution of SXGA 1280 x 1024 is ideal for displaying graphics and images. Other outstanding designs that enhance this LCD monitor's performance are Plug & Play compatibility, and OSD (On Screen Display) controls.

Precautions

Follow all warnings, precautions and maintenance as recommended in this user's manual to maximize the life of your unit. See Appendix B for more information on touchmonitor safety.

About the Product

Your LCD Desktop Touchmonitor is a 17" SXGA TFT color display with the following features:

- The internal microprocessor digitally controls auto-scanning, for horizontal scan frequencies between 31.5 KHz and 80 KHz, and vertical scan frequencies between 56.3 Hz and 75.0 Hz. In each frequency mode, the microprocessor-based circuitry allows the monitor to function at the precision-of a fixed frequency.
- High contrast color TFT LCD display supports resolutions up to SXGA 1280 x 1024. It is Compatible with VGA, SVGA, XGA, SXGA (non-interlaced) and most Macintosh compatible color video cards.
- Power management system conforms to VESADPMS standard.
- Supports DDC1/2B for Plug & Play compatibility.
- Advanced OSD control for picture quality adjustment.
- Detachable stand for wall-mounting application.
- Integrated touch screen function.

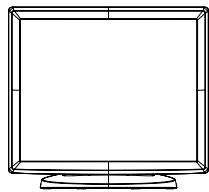
For full Product Specifications refer to Appendix C.

INSTALLATION AND SETUP

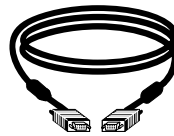
This chapter discusses how to install your LCD touchmonitor and how to install the driver software.

Unpacking Your Touchmonitor

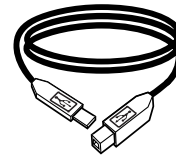
Check that the following 8 items are present and in good condition:



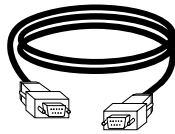
LCD monitor



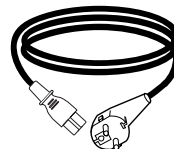
VGA cable



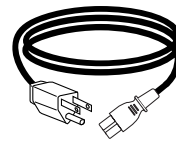
USB cable



Serial Cable



European power cable



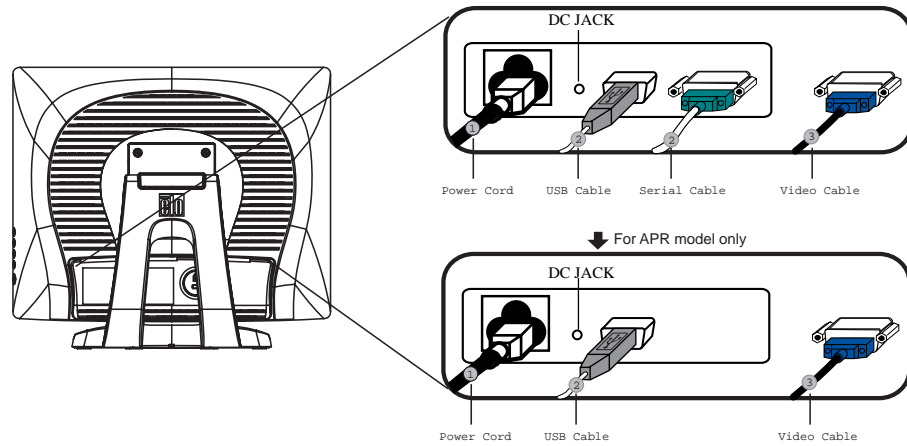
Power cable US/Canada



CD and Quick Install Guide

Touch Interface Connection

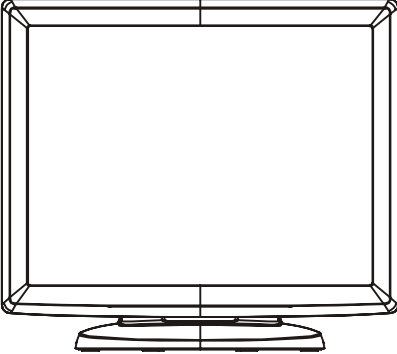
Note: Before connecting the cables to your touchmonitor and PC, be sure that the computer and touchmonitor are turned off.



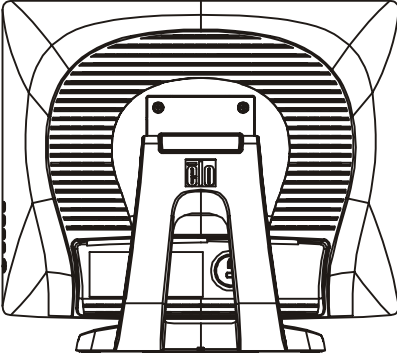
1. Connect one end of the **power cord** to the monitor and the other end to the outlet.
2. Connect one end of either the **touchscreen serial(RS232) cable** or the touch screen USB cable (but not both) to the rear side of the computer and the other end to the LCD monitor. Tighten by turning the two thumb screws clockwise to ensure proper grounding(USB cable does not have thumb screws)
3. Connect one end of the **video cable** to the rear side of computer and the other to the LCD monitor. Tighten by turning the two thumb screws clockwise to ensure proper grounding.
4. Press the **power button** on the front panel to turn the monitor power on.

Product Overview

Main Unit



Rear View



Installing the Driver Software

Elo TouchSystems provides driver software that allows your touchmonitor to work with your computer. Drivers are located on the enclosed CD-ROM for the following operating systems:

- Windows XP
- Windows 2000
- Windows Me
- Windows 98
- Windows 95
- Windows NT 4.0

Additional drivers and driver information for other operating systems are available on the Elo TouchSystems web site at www.elotouch.com.

Your Elo touchmonitor is plug-and-play compliant. Information on the video capabilities of your touchmonitor is sent to your video display adapter when Windows starts. If Windows detects your touchmonitor, follow the instructions on the screen to install a generic plug-and-play monitor.

Refer to the appropriate following section for driver installation instructions.

Depending upon whether you connected the serial communication cable or the USB communication cable, you should install only the serial driver or the USB driver.

Installing the Serial Touch Driver

Installing the Serial Touch Driver for Windows XP, Windows 2000, Me, 95/98 and NT4.0

NOTE: For Windows 2000 and NT 4.0 you must have administrator access rights to install the driver.

- 1 Insert the Elo CD-ROM in your computer's CD-ROM drive.
- 2 If the AutoStart feature for your CD-ROM drive is active, the system automatically detects the CD and starts the setup program.
- 3 Follow the directions on the screen to complete the driver setup for your version of Windows.
- 4 If the AutoStart feature is not active:
- 5 Click **Start > Run**.
- 6 Click the **Browse** button to locate the EloCd.exe program on the CD-ROM.
- 7 Click **Open**, then **OK** to run EloCd.exe.
- 8 Follow the directions on the screen to complete the driver setup for your version of Windows.

To install Windows 2000 and Windows XP, you must use the "update driver" method; you will not find a setup.exe file within the download.

Installing the Serial Touch Driver for MS-DOS and Windows 3.1

You must have a DOS mouse driver (MOUSE.COM) installed for your mouse if you wish to continue using your mouse along with your touchmonitor in DOS.

To install Windows 3.x and MS-DOS from Windows 95/98, follow the directions below:

- 1 Insert the CD-ROM in your computer's CD-ROM drive.
- 2 From DOS, type `d:\EloDos_W31` to change to the correct directory on the CD-ROM (your CD-ROM drive may be mapped to a different drive letter).
- 3 Type `install` and press **Enter** to start the installation.
- 4 Align the touchscreen.

You must have already completed Steps 1 and 2 before proceeding.

To run the INSTALL program:

- 1 Type `INSTALL` at the DOS prompt in the directory containing the driver install files.
- 2 `INSTALL` asks you to select the software to install. Then choose `d:\EloDos_W31` from the displayed list.
- 3 `INSTALL` also asks you for the paths to use during installation, or you may use its defaults. `INSTALL` creates directories as necessary, and warns you if they exist.

If you are updating your software, you may wish to specify the paths containing the earlier versions, and overwrite the obsolete files. All executable programs are upward compatible. For a list of differences from each previous version of the drivers, be sure to select "Differences from Previous Versions" during the installation process.

`INSTALL` updates your `AUTOEXEC.BAT` file with the drivers you select. `INSTALL` makes a copy of your original `AUTOEXEC.BAT` file, called `AUTOEXEC.OLD`. If you already have Elo driver commands in your `AUTOEXEC.BAT` file, they will be commented out.

When `INSTALL` is finished, it leaves a file called `GO.BAT` in the subdirectory you specified. `GO` loads the touchscreen driver, runs the calibration program `ELOCALIB`, and gives you some final instructions.

If you are using Windows 3.1, you will also calibrate the touchscreen within Windows 3.1 with the Touchscreen Control Panel.

Installing the USB Touch Driver

Installing the USB Touch Driver for Windows XP, Windows 2000, Me, 95/98 and NT4.0

- 1 Insert the Elo CD-ROM in your computer's CD-ROM drive.
If Windows 98, Windows Me or Windows 2000 starts the Add New Hardware Wizard:
- 2 Choose **Next**. Select "Search for the best driver for your device (Recommended)" and choose **Next**.
- 3 When a list of search locations is displayed, place a checkmark on "Specify a location" and use **Browse** to select the \EloUSB directory on the Elo CD-ROM.
- 4 Choose **Next**. Once the Elo USB touchscreen driver has been detected, choose **Next** again.
- 5 You will see several files being copied. Insert your Windows 98 CD if prompted. Choose **Finish**.

If Windows 98, Windows Me or Windows 2000 does not start the Add New Hardware Wizard:

NOTE: For Windows 2000 you must have administrator access rights to install the driver.

- 1 Insert the Elo CD-ROM in your computer's CD-ROM drive. If the AutoStart feature for your CD-ROM drive is active, the system automatically detects the CD and starts the setup program.
- 2 Follow the directions on the screen to complete the driver setup for your version of Windows.

If the AutoStart feature is not active:

- 1 Click **Start > Run**.
- 2 Click the **Browse** button to locate the EloCd.exe program on the CD-ROM.
- 3 Click **Open**, then **OK** to run EloCd.exe.
- 4 Follow the directions on the screen to complete the driver setup for your version of Windows.

To install Windows 2000 and Windows XP, you must use the "update driver" method; you will not find a setup.exe file within the download.

Installing APR USB Touch Driver for Windows XP

Insert the ELO APR CD-ROM in your computer's CD-ROM driver.

Follow the directions on the screen to complete the APR 2.0 driver setup for your version of Windows.

1 Click **Start > Run**.

2 Click the **Browse** button to locate the SW600117.exe program on the CD-ROM.

3 Click **Open**, then **OK** to run SW600117.exe.

4 Follow the directions on the screen to complete the driver setup for your version of Windows.

OPERATION

About Touchmonitor Adjustments

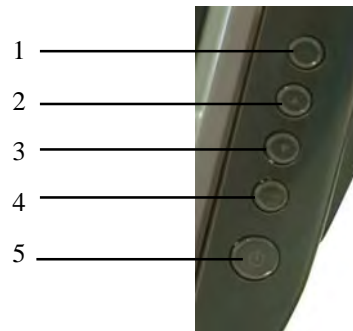
Your touchmonitor will unlikely require adjustment. Variations in video output and application may require adjustments to your touchmonitor to optimize the quality of the display.

For best performance, your touchmonitor should be operating in native resolution, that is 1280 x 1024 at 80k-75 Hz. Use the Display control panel in Windows to choose 1280 x 1024 resolution.

Operating in other resolutions will degrade video performance. For further information, please refer to Appendix A.

All adjustments you make to the controls are automatically memorized. This feature saves you from having to reset your choices every time you unplug or power your touchmonitor off and on. If there is a power failure, your touchmonitor settings will not default to the factory specifications.

Front Panel Controls



| Control | Function |
|-----------------------|---|
| 1 Menu/Exit | Display/Exits the OSD menus. |
| 2 ▲ | 1. Enter contrast of the OSD. 2. Increase value of the adjustment item. 3. Select item. |
| 3 ▼ | 1. Enter brightness adjustment. 2. Decrease value of the adjustment item. 3. Select item counter-clockwise. |
| 4 Select | Selects the adjustment items from the OSD menus. |
| 5 Power Switch | Switches the power of the monitor. |

Controls and Adjustment

OSD Menu Functions

To Display and Select the OSD Functions:

- 1 Press the Menu key to activate the OSD menu.
- 2 Use ▲ or ▼ to move clockwise or counterclockwise through the menu. Press the Enter key, the parameter will be highlighted when selected.
- 3 To quit the OSD screen at any time during the operation, press the Menu key. If no keys are pressed for a short time period, the OSD automatically disappears.

NOTE: The OSD screen will disappear if no input activities are detected for 45 seconds.

OSD Control Options

| Control | Description |
|--------------------------------|---|
| Brightness | Increases or decreases brightness. |
| Contrast | Increases or decreases contrast. |
| H-Position | Moves the screen left or right. |
| V-Position | Moves the screen up or down. |
| Phase | Increases or decreases the snow noise of the image after auto adjustment is made. |
| Clock | The dot clock is fine-adjusted after auto adjust. |
| Sharpness | Adjusts sharpness of video. |
| OSD H-Position | Moves the OSD position horizontally on the screen. When the ▲ button is pressed, the OSD control menu will move to the right side of the screen. Likewise, when the ▼ button is pressed, the OSD control menu will move to the left side. |
| OSD V-Position | Moves the OSD position vertically on the screen. When the ▲ button is pressed, the OSD control menu will move to the top side of the screen. Likewise, when the ▼ button is pressed, the OSD control menu will move to the lower side. |
| OSD Time | Adjusts the amount of the OSD menu is displayed. |
| Color Balance | Press ▲ or ▼ to select 9300, 6500, 5500, 7500 and USER. Only when selecting USER can you make adjustments to the R/G/B content. Press Enter to restore to factory default setting. |
| Auto-Adjust | Press Auto to enable this function. The Auto-Adjust will automatically adjust V-Position, H-Position, Clock and Clock-Phase. |
| Recall Defaults | Returns the monitor to its default settings. |
| OSD Language | Select from English, French, German ,Spanish and Japanese. |
| Information Description | Indicates the current resolution, H-Frequency and V-Frequency. |

Preset Modes

To reduce the need for adjustment for different modes, the monitor has default setting modes that are most commonly used as given in the table below. If any of these display modes are detected, the monitor automatically adjusts the picture size and centering. When none of the mode is matched, the user can store their preferred modes in the user modes. The monitor is capable of storing up to 7 user modes. The only condition to store as a user mode is the new display information must have 1 KHz difference for horizontal frequency or 1 Hz for vertical frequency or the sync signal polarities are different from the default modes.

| Mode | Resolution | H. Freq. (KHz) | Band Width (MHz) | H | V |
|------|------------------------|-------------------|---------------------|---|---|
| 1 | VGA 640 x 350 70 Hz | 31.47 | 25.175 | | |
| 2 | VGA 720 x 400 70 Hz | 31.47 | 28.322 | | |
| 3 | VGA 640 x 480 60 Hz | 31.47 | 25.175 | | |
| 4 | MAC 640 x 480 66 Hz | 35.00 | 30.24 | - | - |
| 5 | VESA 640 x 480 72 Hz | 37.86 | 31.5 | - | - |
| 6 | VESA 640 x 480 75 Hz | 37.50 | 31.5 | - | - |
| 7 | VESA 800 x 600 56 Hz | 35.16 | 36 | + | + |
| 8 | VESA 800 x 600 60 Hz | 37.88 | 40 | + | + |
| 9 | VESA 800 x 600 75 Hz | 46.88 | 49.5 | + | + |
| 10 | VESA 800 x 600 72 Hz | 48.08 | 50 | + | + |
| 11 | MAC 832 x 624 75 Hz | 49.72 | 57.283 | - | - |
| 12 | VESA 1024 x 768 60 Hz | 48.36 | 65 | - | - |
| 13 | SUN 1024 x 768 65 Hz | 52.45 | 70.49 | - | - |
| 14 | VESA 1024 x 768 70 Hz | 56.48 | 75 | - | - |
| 15 | VESA 1024 x 768 75 Hz | 60.02 | 78.75 | + | + |
| 16 | SXGA 1280 x 1024 60 Hz | 64 | 108 | + | + |
| 17 | SXGA 1280 x 1024 75 Hz | 80 | 135 | + | + |
| 18 | SXGA 1152 x 864 75 Hz | 67.5 | 108 | + | + |
| 19 | SXGA 1280 x 960 60 Hz | 60 | 108 | + | + |

Power Management System

The monitor is equipped with the power management function which automatically reduces the power consumption when not in use.

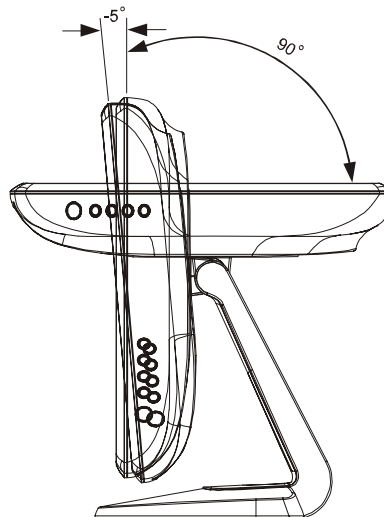
| Mode | Power Consumption |
|-------|-------------------|
| On | <50W |
| Sleep | <4W |
| Off | <2W |

We recommend switching the monitor off when it is not in use for a long time.

NOTE: The monitor automatically goes through the Power Management System (PMS) steps when it is idle. To release the monitor from PMS state, press any key on the keyboard or move mouse.

Display Angle

For viewing clarity, you can tilt the LCD forward (up to -5 degrees) or backward (up to 90 degrees.)



CAUTION In order to protect the LCD, be sure to hold the base when adjusting the LCD, and take care **not** to touch the screen.

4

TROUBLESHOOTING

If you are experiencing trouble with your touchmonitor, refer to the following table. If the problem persists, please contact your local dealer or our service center.

Solutions to Common Problems

| Problem | Suggestion(s) |
|--|--|
| The monitor does not respond after you turn on the system. | Check that the monitor's Power Switch is on. Turn off the power and check the monitor's power cord and signal cable for proper connection. |
| Characters on the screen are dim | Refer to the About Touchmonitor Adjustments section to adjust the brightness. |
| The screen is blank | During operation, the monitor screen may automatically turn off as a result of the Power Saving feature. Press any key to see if the screen reappears. Refer to the About Touchmonitor Adjustments section to adjust the brightness. |
| Screen flashes when initialized "Out of Range" display | Turn the monitor off then turn it on again. Check to see if the resolution of your computer is higher than that of the LCD display. Reconfigure the resolution of your computer to make it less than or equal to 1280 x 1024. See Appendix A for more information on resolution. |
| Touch doesn't work | Make sure the touch cable is securely attached at both ends. |



NATIVE RESOLUTION

The native resolution of a monitor is the resolution level at which the LCD panel is designed to perform best. For the LCD touchmonitor, the native resolution is 1280 x 1024 for the 17 inch size. In almost all cases, screen images look best when viewed at their native resolution. You can lower the resolution setting of a monitor but not increase it.

| Input Video | 17" LCD |
|--------------------|--|
| 640 x 480 (VGA) | Transforms input format to 1280 x 1024 |
| 800 x 600 (SVGA) | Transforms input format to 1280 x 1024 |
| 1024 x 768 (XGA) | Transforms input format to 1280 x 1024 |
| 1280 x 1024 (SXGA) | Displays in native Resolution |

The native resolution of an LCD is the actual number of pixels horizontally in the LCD by the number of pixels vertically in the LCD. LCD resolution is usually represented by the following symbols:

| | |
|-------------|--------------------|
| VGA | 640 x 480 |
| SVGA | 800 x 600 |
| XGA | 1024 x 768 |
| SXGA | 1280 x 1024 |
| UXGA | 1600 x 1200 |

As an example, a XGA resolution LCD panel has 1024 pixels horizontally by 768 pixels vertically. Input video is also represented by the same terms. SXGA input video has a format of 1280 pixels horizontally by 1024 pixels vertically. When the input pixels contained in the video input format match the native resolution of the panel, there is a one to one correspondence of mapping of input video pixels to LCD pixels. As an example, the pixel in column 45 and row 26 of the input video is in column 45 and row 26 of the LCD. For the case when the input video is at a lower resolution than the native resolution of the LCD, the direct correspondence between the video pixels and the LCD pixels is lost. The LCD controller can compute the correspondence between video pixels and LCD pixels using algorithms contained on its controller. The accuracy of the algorithms determines the fidelity of conversion of video pixels to LCD pixels. Poor fidelity conversion can result in artifacts in the LCD displayed image such as varying width characters.

B

TOUCHMONITOR SAFETY

This manual contains information that is important for the proper setup and maintenance of your touchmonitor. Before setting up and powering on your new touchmonitor, read through this manual, especially Chapter 2 (Installation), and Chapter 3 (Operation).

- 1 To reduce the risk of electric shock, follow all safety notices and never open the touchmonitor case.
- 2 Turn off the product before cleaning.
- 3 Your new touchmonitor is equipped with a 3-wire, grounding power cord. The power cord plug will only fit into a grounded outlet. Do not attempt to fit the plug into an outlet that has not been configured for this purpose. Do not use a damaged power cord. Use only the power cord that comes with your touchmonitor. Use of an unauthorized power cord may invalidate your warranty.
- 4 The slots located on the sides and top of the touchmonitor case are for ventilation. Do not block or insert anything inside the ventilation slots.
- 5 It is important that your touchmonitor remains dry. Do not pour liquid into or onto your touchmonitor. If your touchmonitor becomes wet do not attempt to repair it yourself.

Care and Handling of Your Touchmonitor

The following tips will help keep your touchmonitor functioning at the optimal level.

- To avoid risk of electric shock, do not disassemble the brick supply or display unit cabinet. The unit is not user serviceable. Remember to unplug the display unit from the power outlet before cleaning.
- Do not use alcohol (methyl, ethyl or isopropyl) or any strong dissolvent. Do not use thinner or benzene, abrasive cleaners or compressed air.
- To clean the display unit cabinet, use a cloth lightly dampened with a mild detergent.
- Avoid getting liquids inside your touchmonitor. If liquid does get inside, have a qualified service technician check it before you power it on again.
- Do not wipe the screen with a cloth or sponge that could scratch the surface.
- To clean the touchscreen, use window or glass cleaner. Put the cleaner on the rag and wipe the touchscreen. Never apply the cleaner directly on the touchscreen.



Warning

This product consists of devices that may contain mercury, which must be recycled or disposed of in accordance with local, state, or federal laws. (Within this system, the backlight lamps in the monitor display contain mercury.)



Waste Electrical and Electronic Equipment(WEEE) Directive

In the European Union, this label indicates that this product should not be disposed of with household waste. It should be deposited at an appropriate facility to enable recovery and recycling.

C

TECHNICAL SPECIFICATIONS

Touchmonitor Specifications

| Model | ET1715L | |
|-------------------------------|--|-------------------------------|
| LCDDisplay | 17" TFT Active Matrix Panel | |
| Display Size | 337.9(H) x 270.33(V) mm | |
| Pixel Pitch | 0.264(H) x 0.264(V) mm | |
| Display Mode | VGA 640 x 350 (70Hz) VGA 720 x 400 (70Hz) VGA 640 x 480 (60 / 72/ 75Hz) SVGA 800 x 600 (56 / 60 / 72/ 75Hz) XGA 1024 x 768 (60 / 70 / 75Hz) | |
| Max. Resolution | SXGA 1280 x 1024 (60 / 70 / 75Hz) SXGA (1280 x 1024) at 75Hz maximum | |
| Contrast Ratio | 800 : 1 (typical) | |
| Brightness | NonTouch: typical 280 Cd/m ² ; Min 240 Cd/m ² IntelliTouch: typical 258 Cd/m ² ; Min 221 Cd/m ² AccuTouch: typical 230 Cd/m ² ; Min 197 Cd/m ² Surface Capacitive Touch: typical 238 Cd/m ² ; Min 204 Cd/m ² Acoustic Pulse Recognition: typical 258 Cd/m ² ; Min 221 Cd/m ² | |
| Response Time | Tr: 15 ms Tf: 10 ms (Typ.) | |
| Display Color | 16.7M | |
| Viewing Angle | Vertical -80° ~ +80° (Typ.) Horizontal -80° ~+80° (Typ.) | |
| Input Signal | Video | R.G.B. Analog 0.7Vp-p, 75 ohm |
| | Sync | TTL Positive or Negative |
| Signal Connector | Mini D-Sub 15 pin | |
| Front Control | Menu, ▲ , ▼ , Select, Power | |
| OSD | Contrast, Brightness, H-Position, V-Position, Color Temperature, Phase, Clock, OSD Time, Recall, Language: English, French, German, Spanish, Japanese DDC1 / 2B | |
| Plug & Play | | |
| Touch Panel (optional) | IntelliTouch, AccuTouch, Surface Capacitive Touch, APR | |
| Power Adapter | Input AC 100-240V, 50/60Hz | |
| Operating Conditions | Temperature | 0°C ~ 40°C (32°F ~ 104°F) |
| | Humidity | 20% ~ 80% (No Condensation) |
| | Altitude | To 12,000 Feet |
| Storage Conditions | Temperature | -20°C ~ 60°C (-4°F ~ 140°F) |
| | Humidity | 10% ~ 90% (No Condensation) |
| Dimensions (HxWxD) | 391 x 366 x 203mm | |
| Weight (Net) | 7Kg | |
| Certifications | UL, C-UL, FCC-B, CE, VCCI, C-Tick, MPRII , S(Semko) | |

IntelliTouch Touchscreen Specifications

Mechanical

| | |
|----------------------------------|--|
| Positional Accuracy | Standard deviation of error is less than 0.080 in. (2.03 mm). Equates to less than $\pm 1\%$. |
| Touchpoint Density | More than 100,000 touchpoints/in ² (15,500 touchpoints/cm ²). |
| Touch Activation Force | Typically less than 3 ounces (85 grams). |
| Surface Durability | Surface durability is that of glass, Mohs' hardness rating of 7. |
| Expected Life Performance | No known wear-out mechanism, as there are no layers, coatings, or moving parts. IntelliTouch technology has been operationally tested to more than 50 million touches in one location without failure, using a stylus similar to a finger. |
| Sealing | Unit is sealed to protect against splashed liquids, dirt, and dust. |

Optical

| | |
|---|--|
| Light Transmission (per ASTM D1003) | 90% |
| Visual Resolution | All measurements made using USAF 1951 Resolution Chart, under 30X magnification, with test unit located approximately 1.5 in (38 mm) from surface of resolution chart. Clear surface: Excellent, with no noticeable degradation. Antiglare surface: 6:1 minimum. |
| Gloss (per ASTM D2457 using a 60-degree gloss meter) | Antiglare surface: Curved: 60 ± 20 gloss units or 75 ± 15 gloss units. |

Environmental

| | |
|---|---|
| Chemical Resistance | The active area of the touchscreen is resistant to all chemicals that do not affect glass, such as: Acetone Toluene Methyl ethyl ketone Isopropyl alcohol Methyl alcohol Ethyl acetate Ammonia-based glass cleaners Gasoline Kerosene Vinegar |
| Electrostatic Protection (per EN 61 000-4-2, 1995) | Meets Levels 4 (15kV air/8 kV contact discharge) |

AccuTouch Touchmonitor Specifications

Mechanical

Construction

Top: Polyester with outside hard-surface coating with clear or antiglare finish.

Inside: Transparent conductive coating.

Bottom: Glass substrate with uniform resistive coating. Top and bottom layers separated by Elo-patented separator dots.

Positional Accuracy

Standard deviation of error is less than 0.080 in. (2.03 mm). This equates to less than $\pm 1\%$.

Touchpoint Density

More than 100,000 touchpoints/in² (15,500 touchpoints/cm²).

Touch Activation Force

Typically less than 4 ounces (113 grams).

Surface Durability

Meets Taber Abrasion Test (ASTM D1044), CS-10F wheel, 500 g.
Meets pencil hardness 3H.

Expected Life

Performance

AccuTouch technology has been operationally tested to greater than 35 million touches in one location without failure, using a stylus similar to a finger.

Optical

Light Transmission

(per ASTM D1003)

Typically 80% at 550-nm wavelength (visible light spectrum).

Visual Resolution

All measurements made using USAF 1951 Resolution Chart, under 30 X magnification, with test unit located approximately 1.5 in. (38 mm) from surface of resolution chart.

Antiglare surface: 6:1 minimum.

Haze (per ASTM D1003)

Antiglare surface: Less than 15%.

Gloss (per ASTM D2457)

Antiglare surface: 90 ± 20 gloss units tested on a hard-coated front surface.

Surface Capacitive Touchscreen Specifications

Mechanical

Input method

Finger

Glass Thickness

0.118" / 3.0 mm nominal. (Glass only, not including tape, wires and/or solder if used)

Electrical

Positional Accuracy

Reported touch coordinates are within 1.5% of true position (based on viewing area dimensions)

Resolution

Touchpoint density is based on controller resolution of 4096 x 4096

Controller

Controller board size of 2.1" x 3.3" (5.4 x 8.4 cm), with auto-detect function for Serial (RS232) and USB 1.1 connection

Optical

Up to 85% per ASTM D1003

Environmental

Temperature

Touchscreen Operating: -15°C to 70°C
 Storage: -50°C to 85°C
Controller Operating: 0°C to 65°C
 Storage: -25°C to 85°C

Relative Humidity

Operating/Storage: 10% to 90% RH, noncondensing

Chemical Resistance

Water, ammonia, isopropyl alcohol, and similar non-abrasive cleaners

Agency Approvals

UL, cUL, TUV, CE, FCC Class A & B, CISPR B

Sealability

Can be sealed to meet NEMA 4 and 12 and IP 65 standards

Durability

Surface Durability

Anti-glare hardcoat cannot be scratched using any stylus with Mohs rating equal to or less than 6. Tested in the laboratory to withstand over 160 million (mechanically simulated) touches without noticeable degradation.

Acoustic Pulse Recognition Specification

MECHANICAL

Input method Finger, finger nail, gloved hand, or stylus activation

ELECTRICAL

Position accuracy 1% max. error

Resolution accuracy Touchpoint density is based on controller resolution of 4096 x 4096

Touch activation force Typically 2 to 3 ounces (55 to 85 grams)

Controller Board: USB 1.1

OPTICAL

Light transmission 90% +/-5%

ENVIRONMENTAL

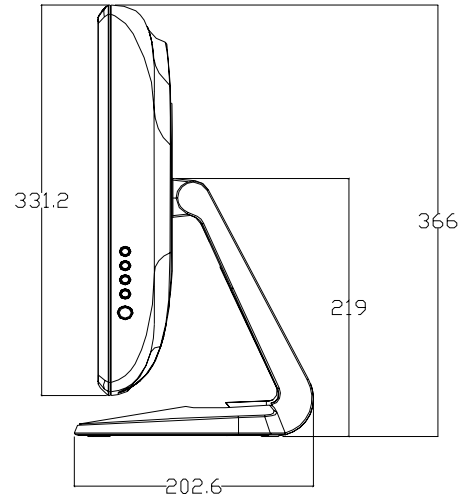
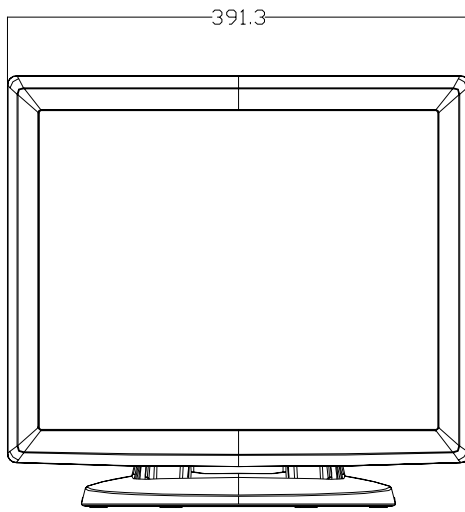
Chemical resistance The touch activation area of the touchscreen is resistant to chemicals that do not affect glass such as: acetone, toluene, methyl ethyl ketone, isopropyl alcohol, methyl alcohol, ethyl acetate, ammonia-based glass cleaners, gasoline, kerosene, vinegar

DURABILITY

Surface durability Surface durability is that of glass, Mohs' hardness rating of 7

Expected life No known wear-out mechanism, as there are no layers, coatings, or moving parts. APR technology has been operationally tested to more than 50 million touches in one location without failure, using a stylus similar finger.

17" LCD Touchmonitor (ET1715L-XXA-1-G) Dimensions



REGULATORY INFORMATION

I. Electrical Safety Information:

A) Compliance is required with respect to the voltage, frequency, and current requirements indicated on the manufacturer's label. Connection to a different power source than those specified herein will likely result in improper operation, damage to the equipment or pose a fire hazard if the limitations are not followed.

B) There are no operator serviceable parts inside this equipment. There are hazardous voltages generated by this equipment which constitute a safety hazard. Service should be provided only by a qualified service technician.

C) This equipment is provided with a detachable power cord which has an integral safety ground wire intended for connection to a grounded safety outlet.

1) Do not substitute the cord with other than the provided approved type. Under no circumstances use an adapter plug to connect to a 2-wire outlet as this will defeat the continuity of the grounding wire.

2) The equipment requires the use of the ground wire as a part of the safety certification, modification or misuse can provide a shock hazard that can result in serious injury or death.

3) Contact a qualified electrician or the manufacturer if there are questions about the installation prior to connecting the equipment to mains power.

II. Emissions and Immunity Information

A) Notice to Users in the United States: This equipment has been tested and found to comply with the limits for a Class B digital device, pursuant to Part 15 of FCC Rules. These limits are designed to provide reasonable protection against harmful interference in a residential installation. This equipment generates, uses, and can radiate radio frequency energy, and if not installed and used in accordance with the instructions, may cause harmful interference to radio communications.

B) Notice to Users in Canada: This equipment complies with the Class B limits for radio noise emissions from digital apparatus as established by the Radio Interference Regulations of Industrie Canada.

C) Notice to Users in the European Union: Use only the provided power cords and interconnecting cabling provided with the equipment. Substitution of provided cords and cabling may compromise electrical safety or CE Mark Certification for emissions or immunity as required by the following standards:

This Information Technology Equipment (ITE) is required to have a CE Mark on the manufacturer's label which means that the equipment has been tested to the following Directives and Standards:

This equipment has been tested to the requirements for the CE Mark as required by EMC

Directive 89/336/EEC indicated in European Standard EN 55022 Class B and the Low Voltage Directive 73/23/EEC as indicated in European Standard EN 60950.

D) General Information to all Users: This equipment generates, uses and can radiate radio frequency energy. If not installed and used according to this manual the equipment may cause

interference with radio and television communications. There is, however, no guarantee that interference will not occur in any particular installation due to site-specific factors.

- 1) In order to meet emission and immunity requirements, the user must observe the following:
 - a) Use only the provided I/O cables to connect this digital device with any computer.
 - b) To ensure compliance, use only the provided manufacturer's approved line cord.
 - c) The user is cautioned that changes or modifications to the equipment not expressly approved by the party responsible for compliance could void the user's authority to operate the equipment.
- 2) If this equipment appears to cause interference with radio or television reception, or any other device:
 - a) Verify as an emission source by turning the equipment off and on.
 - b) If you determine that this equipment is causing the interference, try to correct the interference by using one or more of the following measures:
 - i) Move the digital device away from the affected receiver.
 - ii) Reposition (turn) the digital device with respect to the affected receiver.
 - iii) Reorient the affected receiver's antenna.
 - iv) Plug the digital device into a different AC outlet so the digital device and the receiver are on different branch circuits.
 - v) Disconnect and remove any I/O cables that the digital device does not use. (Unterminated I/O cables are a potential source of high RF emission levels.)
 - vi) Plug the digital device into only a grounded outlet receptacle. Do not use AC adapter plugs. (Removing or cutting the line cord ground may increase RF emission levels and may also present a lethal shock hazard to the user.)

If you need additional help, consult your dealer, manufacturer, or an experienced radio or television technician.

WARRANTY

Except as otherwise stated herein or in an order acknowledgment delivered to Buyer, Seller warrants to Buyer that the Product shall be free of defects in materials and workmanship. The warranty for the touchmonitors and components of the product is 3 (three) years.

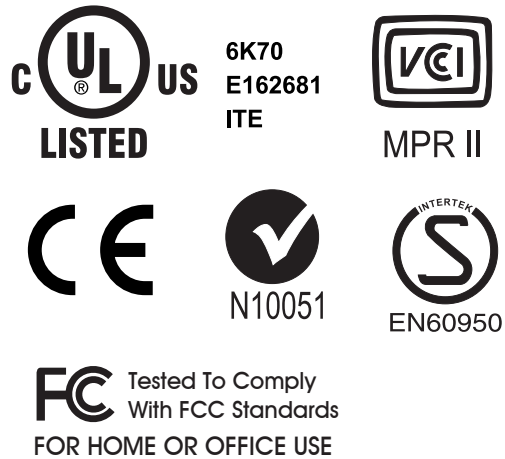
Seller makes no warranty regarding the model life of components. Seller's suppliers may at any time and from time to time make changes in the components delivered as Products or components.

Buyer shall notify Seller in writing promptly (and in no case later than thirty (30) days after discovery) of the failure of any Product to conform to the warranty set forth above; shall describe in commercially reasonable detail in such notice the symptoms associated with such failure; and shall provide to Seller the opportunity to inspect such Products as installed, if possible. The notice must be received by Seller during the Warranty Period for such product, unless otherwise directed in writing by the Seller. Within thirty (30) days after submitting such notice, Buyer shall package the allegedly defective Product in its original shipping carton(s) or a functional equivalent and shall ship to Seller at Buyer's expense and risk.

Within a reasonable time after receipt of the allegedly defective Product and verification by Seller that the Product fails to meet the warranty set forth above, Seller shall correct such failure by, at Seller's options, either (i) modifying or repairing the Product or (ii) replacing the Product. Such modification, repair, or replacement and the return shipment of the Product with minimum insurance to Buyer shall be at Seller's expense. Buyer shall bear the risk of loss or damage in transit, and may insure the Product. Buyer shall reimburse Seller for transportation cost incurred for Product returned but not found by Seller to be defective. Modification or repair, of Products may, at Seller's option, take place either at Seller's facilities or at Buyer's premises. If Seller is unable to modify, repair, or replace a Product to conform to the warranty set forth above, then Seller shall, at Seller's option, either refund to Buyer or credit to Buyer's account the purchase price of the Product less depreciation calculated on a straight-line basis over Seller's stated Warranty Period.

THESE REMEDIES SHALL BE THE BUYER'S EXCLUSIVE REMEDIES FOR BREACH OF WARRANTY. EXCEPT FOR THE EXPRESS WARRANTY SET FORTH ABOVE, SELLER GRANTS NO OTHER WARRANTIES, EXPRESS OR IMPLIED BY STATUTE OR OTHERWISE, REGARDING THE PRODUCTS, THEIR FITNESS FOR ANY PURPOSE, THEIR QUALITY, THEIR MERCHANTABILITY, THEIR NONINFRINGEMENT, OR OTHERWISE. NO EMPLOYEE OF SELLER OR ANY OTHER PARTY IS AUTHORIZED TO MAKE ANY WARRANTY FOR THE GOODS OTHER THAN THE WARRANTY SET FORTH HEREIN. SELLER'S LIABILITY UNDER THE WARRANTY SHALL BE LIMITED TO A REFUND OF THE PURCHASE PRICE OF THE PRODUCT. IN NO EVENT SHALL SELLER BE LIABLE FOR THE COST OF PROCUREMENT OR INSTALLATION OF SUBSTITUTE GOODS BY BUYER OR FOR ANY SPECIAL, CONSEQUENTIAL, INDIRECT, OR INCIDENTAL DAMAGES.

Buyer assumes the risk and agrees to indemnify Seller against and hold Seller harmless from all liability relating to (i) assessing the suitability for Buyer's intended use of the Products and of any system design or drawing and (ii) determining the compliance of Buyer's use of the Products with applicable laws, regulations, codes, and standards. Buyer retains and accepts full responsibility for all warranty and other claims relating to or arising from Buyer's products, which include or incorporate Products or components manufactured or supplied by Seller. Buyer is solely responsible for any and all representations and warranties regarding the Products made or authorized by Buyer. Buyer will indemnify Seller and hold Seller harmless from any liability, claims, loss, cost, or expenses (including reasonable attorney's fees) attributable to Buyer's products or representations or warranties concerning same.



This class B digital apparatus meets all requirements of the Canadian Interference-Causing Equipment Regulations.

Cet appareil numérique de la classe B respecte toutes les exigences du Règlement sur le matériel brouilleur du Canada.

This device complies with Part 15 of the FCC Rules. Operation is subject to the following two conditions: (1) This device may not cause harmful interference, and (2) This device must accept any interference received, including interference that may cause undesired operation.

INDEX

Numerics

17" LCD Touchmonitor (ET1715L-XXWA-1-G)
Dimensions, 3

A

About the Product, 8
About Touchmonitor Adjustments, 17
AccuTouch Touchmonitor Specifications, 32
Acoustic Pulse Recognition Specifications, 34

B

Brightness, 30

C

Care and Handling of Your Touchmonitor, 28
Certifications, 30
Cleaning Your Touchmonitor, 28
Contrast Ratio, 30
Controls and Adjustment, 19

D

Dimensions (HxWxD), 30
Display Angle, 22
Display Color, 30
Display Mode, 30
Display Size, 30

E

Electrical Safety Information, 37
Electrostatic Protection, 32
Environmental Chemical Resistance, 31, 34
Emissions and Immunity Information, 37
Expected Life Performance, 31, 32

F

Front Control, 30
Front Panel Controls, 18

G

Gloss, IntelliTouch, 31

I

Image problem, 23
Image, scrolling, 23
Input Signal, 30
Installing APR USB Touch Driver for Windows XP, 16
Installation and Setup, 9
Installing the Driver Software, 12
Installing the Serial Touch Driver, 13
Installing the Serial Touch Driver for MS-DOS and
Windows 3.1, 14
Installing the Serial Touch Driver for Windows XP,
Windows 2000, Me, 95/98 and NT 4.0, 13
Installing the USB Touch Driver, 15
Installing the USB Touch Driver for Windows XP,
Windows 2000, Me, 95/98 and NT 4.0, 15
Intellitouch Touchmonitor Specifications, 31

M

Main Unit, 10
Max. Resolution, 30

N

Native Resolution, 25

O

Operating Conditions, 30
OSD, 30
OSD Control Options, 20
OSD Menu Functions, 19

P

Pixel Pitch, 30
Plug & Play, 30
Positional Accuracy, 31
Power Adapter, 30
Power Management System, 22
Precautions, 7
Product Description, 7
Product Overview, 10

R

Rear View, 10
Regulatory Information, 37
Response Time, 30

S

Sealing Optical, 31
Signal Connector, 30
Solutions to Common Problems, 23
Storage Conditions, 30
Surface Capacity Touchscreen specification, 33
Surface Durability, 31
SVGA, 25
SXGA, 25

T

Technical Specifications, 29
Touch Activation Force, 31
Touch Interface Connection, 11
Touch not working, 23
Touch Panel (optional), 30
Touchpoint Density, 31
Touchmonitor Safety, 27
Touchmonitor Specifications, 30
Troubleshooting, 23

U

Unpacking Your Touchmonitor, 9
UXGA, 25

V

VGA, 25
Viewing Angle, 30
Visual Resolution, 31

W

Warranty, 39
Weight (Net), 30

X

XGA, 25

Check out Elo's Web site!

www.elotouch.com

Get the latest...

- **Product information**

 - **Specifications**

 - **News on upcoming events**

 - **Press release**

 - **Software drivers**

 - **Touchmonitor Newsletter**
-

Getting in Touch with Elo

To find out more about Elo's extensive range of touch solutions, visit our Web site at www.elotouch.com or simply call the office nearest you:

North America

Elo TouchSystems
301 Constitution Drive,
Menlo Park, CA 94025
USA

(800) ELO-TOUCH
(800-356-8682)
Tel 650-361-4800
Fax 650-361-4722
eloinfo@elotouch.com

Germany

Tyco Electronics Raychem GmbH
(Elo TouchSystems Division)
Finsinger Feld 1
D-85521 Ottobrunn
Germany

Tel +49(0)(89)60822-0
Fax +49(0)(89)60822-180
elosales@elotouch.com

Belgium

Tyco Electronics Raychem GmbH
(Elo TouchSystems Division)
Diestsesteenweg 692
B-3010 Kessel-Lo
Belgium

Tel +32(0)(16)35-2100
Fax +32(o)(16)35-2101
elosales@elotouch.com

Asian-Pacific

Sun Homada Bldg. 2F
1-19-20 Shin-Yokohama
Kanagawa 222-0033
Japan

Tel +81(45)478-2161
Fax +81(45)478-2180
www.tps.co.jp

LCD Touchmonitor / ET1715L



Seat Assembly→Enclosure Assembly→PCB Board/Protection CoverAssembly
→ Front Frame Assembly→ LCD Assembly→ BacklightModule→Lamp/Rear CoverAssembly



Power Cord A



Power Cord B



VGA Cord



Serial Cord



USB Cord