



Monitor Touch Screen Elo Touch ET1515L

O ET1515L é o monitor touchscreen da Elo Touch Solutions extremamente robusto e resistente. Trabalha com as duas melhores tecnologias de toque disponíveis hoje no mercado.

www.bztech.com.br



(shown with optional Magnetic Stripe Reader)

Touchmonitor User Guide

1515L 15" LCD Desktop Touchmonitor, 1000 Series
(Optional Magnetic Stripe Reader Available)

User Guide

15" LCD Desktop

1515L Series

Revision D

P/N 008612E

Copyright © 2007 Tyco Electronics Inc. All Rights Reserved.

No part of this publication may be reproduced, transmitted, transcribed, stored in a retrieval system, or translated into any language or computer language, in any form or by any means, including, but not limited to, electronic, magnetic, optical, chemical, manual, or otherwise without prior written permission of Elo TouchSystems.

Disclaimer

The information in this document is subject to change without notice. Elo TouchSystems makes no representations or warranties with respect to the contents hereof, and specifically disclaims any implied warranties of merchantability or fitness for a particular purpose. Elo TouchSystems reserves the right to revise this publication and to make changes from time to time in the content hereof without obligation of Elo TouchSystems to notify any person of such revisions or changes.

Trademark Acknowledgments

AccuTouch, AT4, CarrollTouch, IntelliTouch, iTouch, MonitorMouse and SecureTouch are trademarks of Elo TouchSystems, Inc.

Other product names mentioned herein may be trademarks or registered trademarks of their respective companies.

Table of Contents

Chapter 1		
Introduction	7	
Product Description	7	
Precautions	7	
About the product	8	
Chapter 2		
Installation and Setup	9	
Unpacking Your Touchmonitor	9	
Touch Interface Connection	10	
MSR Interface connection(Optional)	10	
Product Overview	11	
Main Unit	11	
Rear View	11	
Installing the Driver Software	12	
Installing the Serial Touch Driver	13	
Installing the Serial Touch Driver for Windows Vista, Windows XP, Windows 2000, Me, 95/98 and NT 4.0	13	
Installing the Serial Touch Driver for MS-DOS and Windows 3.1	14	
Installing the USB Touch Driver	15	
Installing the USB Touch Driver for Windows Vista, Windows XP, Windows 2000, Me, 95/98 and NT 4.0	15	
Installing APR USB Touch Driver for Windows XP	16	
Chapter 3		
Operation	17	
About Touchmonitor Adjustments	17	
Side Panel Controls	18	
Controls and Adjustment	19	
OSD Menu Functions	19	
OSD Lock/Unlock	19	
OSD Control Options	20	
Preset Modes	21	
Power Management System	22	
Display Angle	22	
Chapter 4		
Troubleshooting	23	
Solutions to Common Problems	23	
Appendix A	25	
Native Resolution	26	
Appendix B		
Touchmonitor Safety	27	
Care and Handling of Your Touchmonitor	28	
Appendix C		
Touchmonitor Specifications	30	
IntelliTouch Touchmonitor Specifications	31	
AccuTouch Touchmonitor Specifications	32	
Acoustic Pulse Recognition Specifications	33	
15" LCD Touchmonitor (ET1515L-XXXX-1-G) Dimensions	34	
Regulatory Information	37	
Warranty	40	
Index	41	

INTRODUCTION

Product Description

Your new touchmonitor combines the reliable performance of touch technology with the latest advances in LCD display design. This combination of features creates a natural flow of information between a user and your touchmonitor.

This LCD monitor incorporates 15" color active matrix thin-film-transistor (TFT) liquid crystal display to provide superior display performance. A maximum resolution of XGA 1024 x 768 is ideal for displaying graphics and images. Other outstanding designs that enhance this LCD monitor's performance are Plug & Play compatibility, and OSD (On Screen Display) controls.

Precautions

Follow all warnings, precautions and maintenance as recommended in this user's manual to maximize the life of your unit. See Appendix B for more information on touchmonitor safety.

About the Product

The 1515L LCDDesktop Touchmonitor is a 15" XGA TFT color display with the following features:

- The internal microprocessor digitally controls auto-scanning. For horizontal scan frequencies between 31.5 KHz and 60.2 KHz, and vertical scan frequencies between 56.3 Hz and 75.0 Hz. In each frequency mode, the microprocessor-based circuitry allows the monitor to function at the precision-of a fixed frequency.
- High contrast color TFT LCD display support resolution up to XGA 1024 x 768. Compatible with VGA, SVGA, XGA (non-interlaced) and most Macintosh compatible color video cards.
- Power management system conforms to VESADPMS standard.
- Supports DDC1/2B for Plug & Play compatibility.
- Advanced OSD control for picture quality adjustment.
- Detachable stand for wall-mounting application.
- Optional touch screen function.

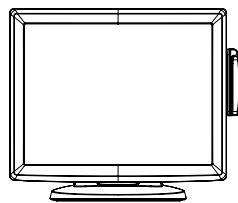
For full Product Specifications refer to Appendix C.

INSTALLATION AND SETUP

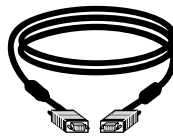
This chapter discusses how to install the 1515L LCD touchmonitor and the driver software.

Unpacking Your Touchmonitor

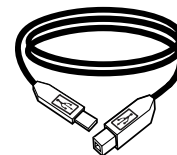
Check that the following 8 items are present and in good condition:



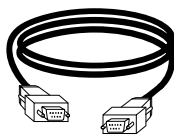
LCD monitor



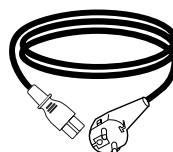
VGA cable



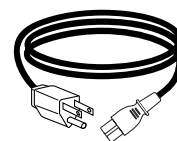
USB cable



Serial Cable



European power cable



Power cable US/Canada

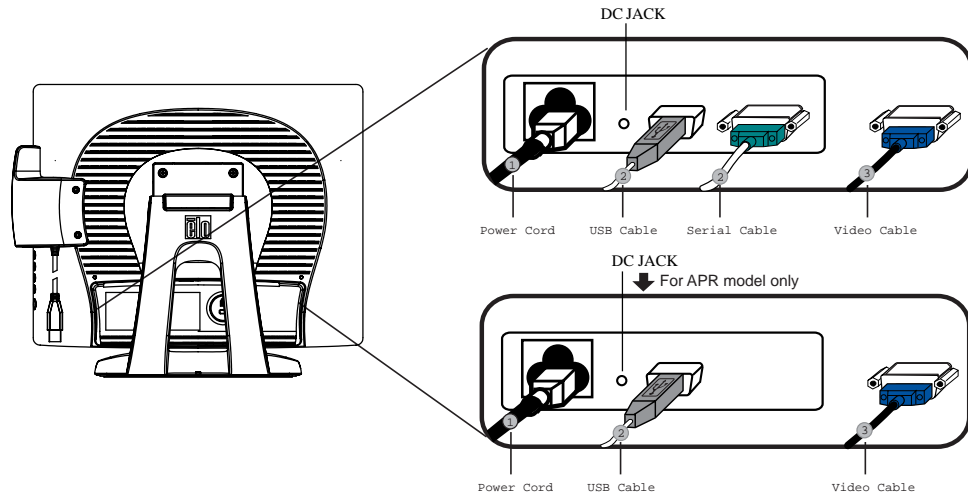
OR



CD and Quick Install Guide

Touch Interface Connection

Note: Before connecting the cables to your touchmonitor and PC, be sure that the computer and touchmonitor are turned off.



1. Connect one end of the **power cord** to the monitor and the other end to the AC outlet.
2. Connect one end of either the **touchscreen serial(RS232) cable** or the touch screen USB cable (but not both) to the rear side of the computer and the other end to the LCD monitor. Tighten by turning the two thumb screws clockwise to ensure proper grounding(optional module USB cable does not have thumb screws)
3. Connect one end of the **video cable** to the rear side of computer and the other to the LCD monitor. Tighten by turning the two thumb screws clockwise to ensure proper grounding.
4. Press the **power button** on the front panel to turn the monitor power on.

Magnetic Stripe Reader(MSR) Interface Connection(optional)

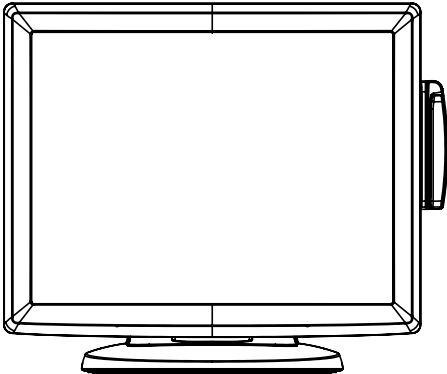
If the MSR is installed on the monitor, plug the USB cable from the MSR directly to the PC. No drivers are required to be loaded.

To change the MSR function mode from keyboard emulation to HID, load the "MSR CHANGE MODE.EXE" utility from the enclosed TouchTools CD or go online to www.elotouch.com to download this utility.

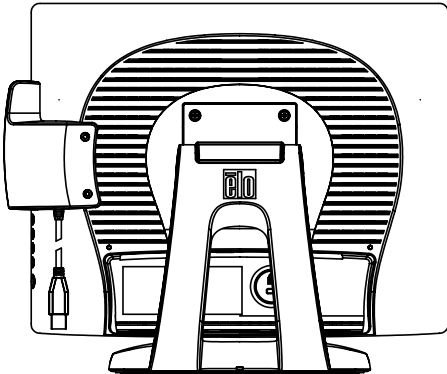
Note: MSR function mode can be changed to HID mode from keyboard emulation mode and back using the "MSR CHANGE MODE.EXE" utility.

Product Overview

Main Unit



Rear View



Kensington™ Lock



The Kensington™ lock is a security device that prevents theft. To find out more about this security device, go to <http://www.kensington.com>.

Installing the Driver Software

Elo TouchSystems provides driver software that allows your touchmonitor to work with your computer. Drivers are located on the enclosed CD-ROM for the following operating systems:

- Windows Vista
- Windows XP
- Windows 2000
- Windows Me
- Windows 98
- Windows 95
- Windows NT 4.0
- Windows 3.1
- MS-DOS

Additional drivers and driver information for other operating systems are available on the Elo TouchSystems web site at www.elotouch.com.

The Elo touchmonitor is plug-and-play compliant. Information on the video capabilities of your touchmonitor is sent to your video display adapter when Windows starts. If Windows detects your touchmonitor, follow the instructions on the screen to install a generic plug-and-play monitor.

Refer to the appropriate following section for driver installation instructions.

Depending upon whether you connected the serial communication cable or the USB communication cable, only the serial driver or the USB driver should be installed.

Installing the Serial Touch Driver

Installing the Serial Touch Driver for Windows Vista, Windows XP, Windows 2000, Me, 95/98 and NT4.0

NOTE: For Windows 2000 and NT 4.0 you must have administrator access rights to install the driver.

- 1 Insert the Elo CD-ROM in your computer's CD-ROM drive.
- 2 If the AutoStart feature for your CD-ROM drive is active, the system automatically detects the CD and starts the setup program.
- 3 Follow the directions on the screen to complete the driver setup for your version of Windows.
- 4 If the AutoStart feature is not active:
- 5 Click **Start > Run**.
- 6 Click the **Browse** button to locate the EloCd.exe program on the CD-ROM.
- 7 Click **Open**, then **OK** to run EloCd.exe.
- 8 Follow the directions on the screen to complete the driver setup for your version of Windows.

NOTE: To install Windows 2000 and Windows XP, you must use the "update driver" method; you will not find a setup.exe file within the download.

Installing the Serial Touch Driver for MS-DOS and Windows 3.1

You must have a DOS mouse driver (MOUSE.COM) installed for your mouse if you wish to continue using your mouse along with your touchmonitor in DOS.

To install Windows 3.x and MS-DOS from Windows 95/98, follow the directions below:

- 1 Insert the CD-ROM in your computer's CD-ROM drive.
- 2 From DOS, type `d:\EloDos_W31` to change to the correct directory on the CD-ROM (your CD-ROM drive may be mapped to a different drive letter).
- 3 Type `install` and press **Enter** to start the installation.
- 4 Align the touchscreen.

You must have already completed Steps 1 and 2 before proceeding.

To run the INSTALL program:

- 1 Type `INSTALL` at the DOS prompt in the directory containing the driver install files.
- 2 `INSTALL` asks you to select the software to install. Then choose `d:\EloDos_W31` from the displayed list.
- 3 `INSTALL` also asks for the paths to use during installation, or its defaults may be used. `INSTALL` creates directories as necessary, and warns you if they exist.

If you are updating your software, you may wish to specify the paths containing the earlier versions, and overwrite the obsolete files. All executable programs are upward compatible. For a list of differences from each previous version of the drivers, be sure to select "Differences from Previous Versions" during the installation process.

`INSTALL` updates your `AUTOEXEC.BAT` file with the drivers you select. `INSTALL` makes a copy of your original `AUTOEXEC.BAT` file, called `AUTOEXEC.OLD`. If you already have Elo driver commands in your `AUTOEXEC.BAT` file, they will be commented out.

When `INSTALL` is finished, it leaves a file called `GO.BAT` in the subdirectory you specified. `GO` loads the touchscreen driver, runs the calibration program `ELOCALIB`, and gives you some final instructions.

If you are using Windows 3.1, you will also calibrate the touchscreen within Windows 3.1 with the Touchscreen Control Panel.

Installing the USB Touch Driver

Installing the USB Touch Driver for Windows Vista, Windows XP, Windows 2000, Me, 95/98 and NT4.0

- 1 Insert the Elo CD-ROM in your computer's CD-ROM drive.
If Windows 98, Windows Me or Windows 2000 starts the Add New Hardware Wizard:
- 2 Choose **Next**. Select "Search for the best driver for your device (Recommended)" and choose **Next**.
- 3 When a list of search locations is displayed, place a checkmark on "Specify a location" and use **Browse** to select the \EloUSB directory on the Elo CD-ROM.
- 4 Choose **Next**. Once the Elo USB touchscreen driver has been detected, choose **Next** again.
- 5 You will see several files being copied. Insert your Windows 98 CD if prompted. Choose **Finish**.

If Windows 98, Windows Me or Windows 2000 does not start the Add New Hardware Wizard:

NOTE: For Windows 2000 you must have administrator access rights to install the driver.

- 1 Insert the Elo CD-ROM in your computer's CD-ROM drive. If the AutoStart feature for your CD-ROM drive is active, the system automatically detects the CD and starts the setup program.
- 2 Follow the directions on the screen to complete the driver setup for your version of Windows.

If the AutoStart feature is not active:

- 1 Click **Start > Run**.
- 2 Click the **Browse** button to locate the EloCd.exe program on the CD-ROM.
- 3 Click **Open**, then **OK** to run EloCd.exe.
- 4 Follow the directions on the screen to complete the driver setup for your version of Windows.

NOTE: To install Windows 2000 and Windows XP, you must use the "update driver" method; you will not find a setup.exe file within the download.

Installing APR USB Touch Driver for Windows XP

Insert the Elo APR CD-ROM in your computer's CD-ROM driver.

Follow the directions on the screen to complete the APR 2.0 driver setup for your version of Windows.

1 Click **Start > Run**.

2 Click the **Browse** button to locate the SW600117.exe program on the CD-ROM.

3 Click **Open**, then **OK** to run SW600117.exe.

4 Follow the directions on the screen to complete the driver setup for your version of Windows.

Note: Elo APR USB is only supported by Windows XP at this time. There is no serial (RS-232) version available.

OPERATION

About Touchmonitor Adjustments

It is unlikely the touchmonitor will require adjustment. Variations in video output and application may require adjustments to the touchmonitor to optimize the quality of the display.

For best performance, the touchmonitor should be operating in native resolution, 1024 x 768 at 60k-75 Hz. Use the Display control panel in Windows to choose 1024 x 768 resolution.

Operating in other resolutions will degrade video performance. For further information, please refer to Appendix A.

All adjustments made to the controls are automatically memorized. This feature saves you from having to reset the choices every time the touchmonitor is unplugged or powered off and on. If there is a power failure, the touchmonitor settings will not default to the factory specifications.

Side Panel Controls



Control	Function
1 Menu/Exit	Display/Exits the OSD menus.
2 ▲	<ol style="list-style-type: none">1. Enter contrast of the OSD.2. Increase value of the adjustment item.3. Move OSD selection clockwise.
3 ▼	<ol style="list-style-type: none">1. Enter brightness adjustment.2. Decrease value of the adjustment item.3. Move OSD selection counter-clockwise .
4 Select	<ol style="list-style-type: none">1. Auto adjust function.2. Selects the adjustment item from the OSD menus.
5 Power Switch	Switches the power of the monitor.

Controls and Adjustment

OSD Menu Functions

To Display and Select the OSD Functions:

1. Press the Menu key to activate the OSD menu.
2. Use ▲ or ▼ to move clockwise, or counterclockwise through the menu. Press the “Select” key, the parameter will be highlighted when selected.
3. To quit the OSD screen at any time during the operation, press the Menu key. If no keys are pressed for a short time period, the OSD automatically disappears.

NOTE: The OSD screen will disappear if no input activities are detected for at a minimum of 45 seconds or depending on how long the timer is set via the OSD menu. The time ranges from 45 seconds to 255 seconds.

OSD Lock/Unlock

The OSD feature can be locked and unlocked. The monitor is shipped in the unlocked position.

To lock the OSD:

1. Press the Menu button and ▲ button simultaneously until a window appears displaying “OSD Unlock”. Continue to hold the buttons down and the window toggles to “OSD Lock”.
2. To unlock the OSD, repeat the procedure until the “OSD Unlock” is displayed.

To lock the power:

1. Press the menu and ▼ button simultaneously until a window displaying “power unlock” appears. Continue to hold the buttons until the “Power Lock”.
2. To unlock the power repeat the procedure until the “Power Unlock” is displayed.

OSD Control Options

Control	Description
Brightness	Increases or decreases brightness
Contrast	Increases or decreases contrast
H-Position	Moves the screen left or right
V-Position	Moves the screen up or down
Phase	Increases or decreases the snow noise of the image after auto adjustment is made.
Clock	The dot clock is fine-adjusted after auto adjust.
Sharpness	Adjusts sharpness of video.
OSD H-Position	Moves the OSD position horizontally on the screen. When the ▲ button is pressed, the OSD control menu will move to the right side of the screen. Likewise, when the ▼ button is pressed, the OSD control menu will move to the left side.
OSD V-Position	Moves the OSD position vertically on the screen. When the ▲ button is pressed, the OSD control menu will move to the top side of the screen. Likewise, when the ▼ button is pressed, the OSD control menu will move to the lower side.
OSD Time	Adjusts the amount of the OSD menu is displayed.
Color Balance	Press ▲ or ▼ to select 9300, 6500, 5500, 7500 and USER. Only when selecting USER can you make adjustments to the R/G/B content. Press Enter to restore to factory default setting.
Auto-Adjust	Press Auto to enable this function. The Auto-Adjust will automatically adjust V-Position, H-Position, Clock and Clock-Phase.
Recall Defaults	Returns the monitor to its default settings.
OSD Language	Select from English, French, German ,Spanish and Japanese.
Information Description	Indicates the current resolution, H-Frequency and V-Frequency.

Preset Modes

To reduce the need for adjustment for different modes, the monitor has default setting modes that are most commonly used as given in the table below. If any of these display modes are detected, the monitor automatically adjusts the picture size and centering. When none of the mode is matched, the user can store their preferred modes in the user modes. The monitor is capable of storing up to 7 user modes. The only condition to store as a user mode is the new display information must have 1 KHz difference for horizontal frequency or 1 Hz for vertical frequency or the sync signal polarities are different from the default modes.

Mode	Resolution	H. Freq. (KHz)	Band Width (MHz)	H	V
1	VGA 640 x 350 70 Hz	31.47	28.322	+	-
2	VGA 720 x 400 70 Hz	31.47	28.322	-	+
3	VGA 640 x 480 60 Hz	31.47	25.175	-	-
4	MAC 640 x 480 66 Hz	35.00	32.24	-	-
5	VESA 640 x 480 72 Hz	37.86	31.5	-	-
6	VESA 640 x 480 75 Hz	37.50	31.5	-	-
7	VESA 800 x 600 56 Hz	35.16	36	+	+
8	VESA 800 x 600 60 Hz	37.88	40	+	+
9	VESA 800 x 600 75 Hz	46.88	49.5	+	+
10	VESA 800 x 600 72 Hz	48.08	50	+	+
11	MAC 832 x 624 75 Hz	49.72	57.283	-	-
12	VESA 1024 x 768 60 Hz	48.36	65	-	-
13	SUN 1024 x 768 65 Hz	52.45	70.49	-	-
14	VESA 1024 x 768 70 Hz	56.48	75	-	-
15	VESA 1024 x 768 75 Hz	60.02	78.75	+	+

Power Management System

The monitor is equipped with the power management function which automatically reduces the power consumption when not in use.

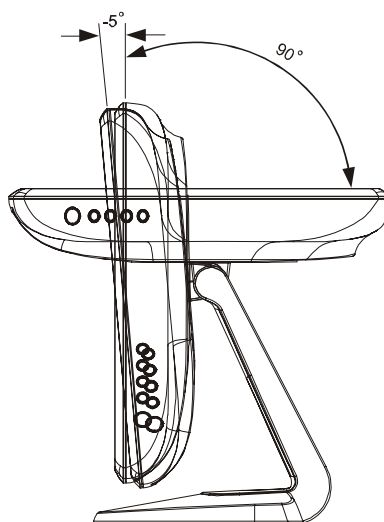
Mode	Power Consumption
On	<30W
Sleep	<4W
Off	<2W

It is recommend to switch the monitor off when it is not in use for a long time.

NOTE: The monitor automatically goes through the Power Management System (PMS) steps when it is idle. To release the monitor from PMS condition, press any key on the keyboard, Move the mouse or touch the touchscreen.
In order for the touchscreen to bring the monitor from the power management system, the touchscreen function must be fully operational.

Display Angle

For viewing clarity, the LCD can tilt forward (up to -5 degrees) or backward (up to 90 degrees.)



CAUTION In order to protect the LCD, be sure to hold the base when adjusting the LCD, and do **not** touch the screen.

4

TROUBLESHOOTING

If you are experiencing trouble with your touchmonitor, refer to the following table. If the problem persists, please contact your local dealer or the Elo service center.

Solutions to Common Problems

Problem	Suggestion(s)
The monitor does not respond when turning on the system.	<ol style="list-style-type: none"> 1. Check that the monitor's Power Switch is on. 2. Turn off the power and check the monitor's power cord and signal cable for proper connection.
Characters on the screen are dim	Refer to the About Touchmonitor Adjustments section to adjust the brightness.
The screen is blank	<ol style="list-style-type: none"> 1. During operation, the monitor screen may automatically turn off as a result of the Power Saving feature. Press any key to see if the screen reappears. 2. Refer to the About Touchmonitor Adjustments section to adjust the brightness.
Screen flashes when initialized	Turn the monitor off then turn it on again.
"Out of Range" display	<ol style="list-style-type: none"> 1. Check to see if the resolution of your computer is higher than that of the LCD display. 2. Reconfigure the resolution of your computer to make it less than or equal to 1024x768. See Appendix A for more information on resolution.
Touch doesn't work	Make sure the touch cable is securely attached at both ends.



NATIVE RESOLUTION

The native resolution of a monitor is the resolution level at which the LCD panel is designed to perform best. For the LCD touchmonitor, the native resolution is 1024 x 768 for the 15 inch size. In almost all cases, screen images look best when viewed at their native resolution. The resolution setting of a monitor can be lowered but not increased.

Input Video	15" LCD
640 x 480 (VGA)	Transforms input format to 1024 x 768
800 x 600 (SVGA)	Transforms input format to 1024 x 768
1024 x 768 (XGA)	Displays in Native Resolution

The native resolution of an LCD is the actual number of pixels horizontally in the LCD by the number of pixels vertically in the LCD. LCD resolution is usually represented by the following symbols:

VGA	640 x 480
SVGA	800 x 600
XGA	1024 x 768
SXGA	1280 x 1024
UXGA	1600 x 1200

As an example, a SVGA resolution LCD panel has 800 pixels horizontally by 600 pixels vertically. Input video is also represented by the same terms. XGA input video has a format of 1024 pixels horizontally by 768 pixels vertically. When the input pixels contained in the video input format match the native resolution of the panel, there is a one to one correspondence of mapping of input video pixels to LCD pixels. As an example, the pixel in column 45 and row 26 of the input video is in column 45 and row 26 of the LCD. For the case when the input video is at a lower resolution than the native resolution of the LCD, the direct correspondence between the video pixels and the LCD pixels is lost. The LCD controller can compute the correspondence between video pixels and LCD pixels using algorithms contained on its controller. The accuracy of the algorithms determines the fidelity of conversion of video pixels to LCD pixels. Poor fidelity conversion can result in artifacts in the LCD displayed image such as varying width characters.

B

TOUCHMONITOR SAFETY

This manual contains information that is important for the proper setup and maintenance of the touchmonitor. Before setting up and powering on the new touchmonitor, read through this manual, especially Chapter 2 (Installation), and Chapter 3 (Operation).

- 1 To reduce the risk of electric shock, follow all safety notices and never open the touchmonitor case.
- 2 Turn off the product before cleaning.
- 3 The new touchmonitor is equipped with a 3-wire, grounding power cord. The power cord plug will only fit into a grounded outlet. Do not attempt to fit the plug into an outlet that has not been configured for this purpose. Do not use a damaged power cord. Use only the power cord that comes with the touchmonitor. Use of an unauthorized power cord may invalidate the warranty.
- 4 The slots located on the sides and top of the touchmonitor case are for ventilation. Do not block or insert anything inside the ventilation slots.
- 5 It is important that the touchmonitor remains dry. Do not pour liquid into or onto the touchmonitor. If the touchmonitor becomes wet do not attempt to repair it yourself. Contact your local dealer or Elo Technical Support for assistance.

Care and Handling of Your Touchmonitor

The following tips will help keep your touchmonitor functioning at the optimal level.

- To avoid risk of electric shock, do not disassemble the brick power supply or display unit cabinet. The unit is not user serviceable. Remember to unplug the display unit from the power outlet before cleaning.
- Do not use alcohol (methyl, ethyl or isopropyl) or any strong dissolvent. Do not use thinner or benzene, abrasive cleaners or compressed air.
- To clean the display unit cabinet, use a cloth lightly dampened with a mild detergent.
- Avoid getting liquids inside your touchmonitor. If liquid does get inside, have a qualified service technician check it before you power it on again.
- Do not wipe the screen with a cloth or sponge that could scratch the surface.
- To clean the touchscreen, use window or glass cleaner. Put the cleaner on the rag and wipe the touchscreen. Never apply the cleaner directly to the touchscreen.



C

TECHNICAL SPECIFICATIONS

Touchmonitor Specifications

Model		1515L
LCDDisplay		15" TFT Active Matrix Panel
Display Size		304.(H) x 228.(V) mm
Pixel Pitch		0.297(H) x 0.297(V) mm
Display Mode		VGA 640 x 350 (70Hz) VGA 720 x 400 (70Hz) VGA 640 x 480 (60 / 72/ 75Hz) SVGA 800 x 600 (56 / 60 / 72/ 75Hz) XGA 1024 x 768 (60 / 70 / 75Hz)
Max. Resolution		XGA (1024 x 768) at 75Hz maximum
Contrast Ratio		450 : 1 (typical)
Brightness		Non Touch: typical 250 Cd/m ² ; Min 200 Cd/m ² AccuTouch: typical 200 Cd/m ² ; Min 160 Cd/m ² IntelliTouch: typical 230 Cd/m ² ; Min 184 Cd/m ² Acoustic Pulse Recognition: typical 230 Cd/m ² ; Min 184 Cd/m ²
Response Time		Tr: 5 ms Tf: 12ms (Typ.)
Display Color		16.2M
Viewing Angle		Vertical -55°/+65° or 120° total Horizontal ±65° or 130° total
Input Signal	Video	R.G.B. Analog 0.7Vp-p, 75 ohm
	Sync	TTL Positive or Negative
Signal Connector		Mini D-Sub 15 pin
Side Controls		Menu, ▲ , ▼ , Select, Power
OSD		Contrast, Brightness, H-Position, V-Position, Color Temperature, Phase, Clock, OSD Time, Recall, Language: English, French, German, Spanish, Japanese
Plug & Play		DDC1 / 2B
Touch Panel (optional)		AccuTouch /IntelliTouch/Acoustic Pulse Recognition
Power Adapter		Input AC 100-240V, 50-60Hz
Operating Conditions	Temperature	0°C ~ 40°C (32°F ~ 104°F)
	Humidity	20% ~ 80% (No Condensation)
	Altitude	To 12,000 Feet
Storage Conditions	Temperature	-20°C ~ 60°C (-4°F ~ 140°F)
	Humidity	10% ~ 90% (No Condensation)
Dimensions (HxWxD)		372.8 x 310 x 175mm
Weight (Net)		5Kg
Certifications		UL, C-UL, FCC-B, CE, VCCI, C-Tick, MPRII , S(Semko)

Note: Use a UL and IEC certified external AC adapter with a limited power source(marked LPS) rated 12 Vdc, 2.5A.

IntelliTouch Touchscreen Specifications

MECHANICAL

Positional Accuracy	Standard deviation of error is less than 0.080 in. (2.03 mm). Equates to less than $\pm 1\%$.
Touchpoint Density	More than 100,000 touchpoints/in ² (15,500 touchpoints/cm ²).
Touch Activation Force	Typically less than 3 ounces (85 grams).
Surface Durability	Surface durability is that of glass, Mohs' hardness rating of 7.
Expected Life Performance	No known wear-out mechanism, as there are no layers, coatings, or moving parts. IntelliTouch technology has been operationally tested to more than 50 million touches in one location without failure, using a stylus similar to a finger.
Sealing	Unit is sealed to protect against splashed liquids, dirt, and dust.

OPTICAL

Light Transmission (per ASTM D1003)	90%
Visual Resolution	All measurements made using USAF 1951 Resolution Chart, under 30X magnification, with test unit located approximately 1.5 in (38 mm) from surface of resolution chart. Clear surface: Excellent, with no noticeable degradation. Antiglare surface: 6:1 minimum.
Gloss (per ASTM D2457 using a 60-degree gloss meter)	Antiglare surface: Curved: 60 ± 20 gloss units or 75 ± 15 gloss units.

ENVIRONMENTAL

Chemical Resistance	The active area of the touchscreen is resistant to all chemicals that do not affect glass, such as: Acetone Toluene Methyl ethyl ketone Isopropyl alcohol Methyl alcohol Ethyl acetate Ammonia-based glass cleaners Gasoline Kerosene Vinegar
Electrostatic Protection (per EN 61 000-4-2, 1995)	Meets Levels 4 (15kV air/8 kV contact discharge)

AccuTouch Touchscreen Specifications

MECHANICAL

Construction	Top: Polyester with outside hard-surface coating with clear or antiglare finish. Inside: Transparent conductive coating. Bottom: Glass substrate with uniform resistive coating. Top and bottom layers separated by patented separator dots.
Positional Accuracy	Standard deviation of error is less than 0.080 in. (2.03 mm). This equates to less than $\pm 1\%$.
Touchpoint Density	More than 100,000 touchpoints/in ² (15,500 touchpoints/cm ²).
Touch Activation Force	Typically less than 4 ounces (113 grams).
Surface Durability	Meets Taber Abrasion Test (ASTM D1044), CS-10F wheel, 500 g. Meets pencil hardness 3H.
Expected Life Performance	AccuTouch technology has been operationally tested to greater than 35 million touches in one location without failure, using a stylus similar to a finger.

OPTICAL

Light Transmission (per ASTM D1003)	Typically 85% at 550-nm wavelength (visible light spectrum).
Visual Resolution	All measurements made using USAF 1951 Resolution Chart, under 30 X magnification, with test unit located approximately 1.5 in. (38 mm) from surface of resolution chart. Antiglare surface: 6:1 minimum.
Haze (per ASTM D1003)	Antiglare surface: Less than 15%.
Gloss (per ASTM D2457)	Antiglare surface: 90 ± 20 gloss units tested on a hard-coated front surface.

Acoustic Pulse Recognition Specification

MECHANICAL

Input method Finger, finger nail, gloved hand, or stylus activation

ELECTRICAL

Position accuracy 1% max. error

Resolution accuracy Touchpoint density is based on controller resolution of 4096 x 4096

Touch activation force Typically 2 to 3 ounces (55 to 85 grams)

Controller Board: USB 1.1

OPTICAL

Light transmission 90% +/-5%

ENVIRONMENTAL

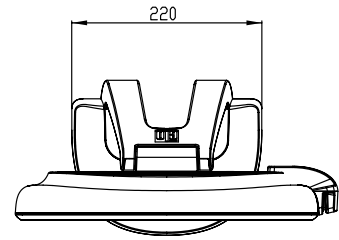
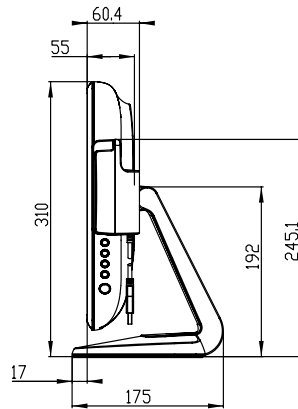
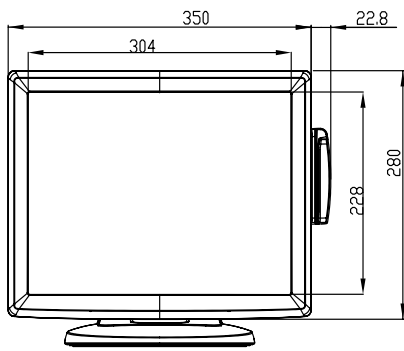
Chemical resistance The touch activation area of the touchscreen is resistant to chemicals that do not affect glass such as: acetone, toluene, methyl ethyl ketone, isopropyl alcohol, methyl alcohol, ethyl acetate, ammonia-based glass cleaners, gasoline, kerosene, vinegar

DURABILITY

Surface durability Surface durability is that of glass, Mohs' hardness rating of 7

Expected life No known wear-out mechanism, as there are no layers, coatings, or moving parts. APR technology has been operationally tested to more than 50 million touches in one location without failure, using a stylus similar finger.

15" LCD Touchmonitor (1515L-XXXC-1-G) Dimensions



REGULATORY INFORMATION

I. Electrical Safety Information:

- A) Compliance is required with respect to the voltage, frequency, and current requirements indicated on the manufacturer's label. Connection to a different power source than those specified herein will likely result in improper operation, damage to the equipment or pose a fire hazard if the limitations are not followed.
- B) There are no operator serviceable parts inside this equipment. There are hazardous voltages generated by this equipment which constitute a safety hazard. Service should be provided only by a qualified service technician.
- C) This equipment is provided with a detachable power cord which has an integral safety ground wire intended for connection to a grounded safety outlet.
 - 1) Do not substitute the cord with other than the provided approved type. Under no circumstances use an adapter plug to connect to a 2-wire outlet as this will defeat the continuity of the grounding wire.
 - 2) The equipment requires the use of the ground wire as a part of the safety certification, modification or misuse can provide a shock hazard that can result in serious injury or death.
 - 3) Contact a qualified electrician or the manufacturer if there are questions about the installation prior to connecting the equipment to mains power.

II. Emissions and Immunity Information

- A) Notice to Users in the United States: This equipment has been tested and found to comply with the limits for a Class B digital device, pursuant to Part 15 of FCC Rules. These limits are designed to provide reasonable protection against harmful interference in a residential installation. This equipment generates, uses, and can radiate radio frequency energy, and if not installed and used in accordance with the instructions, may cause harmful interference to radio communications.
- B) Notice to Users in Canada: This equipment complies with the Class B limits for radio noise emissions from digital apparatus as established by the Radio Interference Regulations of Industrie Canada.
- C) Notice to Users in the European Union: Use only the provided power cords and interconnecting cabling provided with the equipment. Substitution of provided cords and cabling may compromise electrical safety or CE Mark Certification for emissions or immunity as required by the following standards:

This Information Technology Equipment (ITE) is required to have a CE Mark on the manufacturer's label which means that the equipment has been tested to the following Directives and Standards: This equipment has been tested to the requirements for the CE Mark as required by EMC Directive 89/336/EEC indicated in European Standard EN 55022 Class B and the Low Voltage Directive 73/23/EEC as indicated in European Standard EN 60950.

D) General Information to all Users: This equipment generates, uses and can radiate radio frequency energy. If not installed and used according to this manual the equipment may cause interference with radio and television communications. There is, however, no guarantee that interference will not occur in any particular installation due to site-specific factors.

1) In order to meet emission and immunity requirements, the user must observe the following:

- a) Use only the provided I/O cables to connect this digital device with any computer.
- b) To ensure compliance, use only the provided manufacturer's approved line cord.
- c) The user is cautioned that changes or modifications to the equipment not expressly approved by the party responsible for compliance could void the user's authority to operate the equipment.

2) If this equipment appears to cause interference with radio or television reception, or any other device:

- a) Verify as an emission source by turning the equipment off and on.
- b) If you determine that this equipment is causing the interference, try to correct the interference by using one or more of the following measures:
 - i) Move the digital device away from the affected receiver.
 - ii) Reposition (turn) the digital device with respect to the affected receiver.
 - iii) Reorient the affected receiver's antenna.
 - iv) Plug the digital device into a different AC outlet so the digital device and the receiver are on different branch circuits.
 - v) Disconnect and remove any I/O cables that the digital device does not use. (Unterminated I/O cables are a potential source of high RF emission levels.)
 - vi) Plug the digital device into only a grounded outlet receptacle. Do not use AC adapter plugs. (Removing or cutting the line cord ground may increase RF emission levels and may also present a lethal shock hazard to the user.)

If you need additional help, consult your dealer, manufacturer, or an experienced radio or television technician.



MPR II



WARRANTY

Except as otherwise stated herein or in an order acknowledgment delivered to Buyer, Seller warrants to Buyer that the Product shall be free of defects in materials and workmanship. The warranty for the touchmonitors and components of the product is 3 (three) years.

Seller makes no warranty regarding the model life of components. Seller's suppliers may at any time and from time to time make changes in the components delivered as Products or components.

Buyer shall notify Seller in writing promptly (and in no case later than thirty (30) days after discovery) of the failure of any Product to conform to the warranty set forth above; shall describe in commercially reasonable detail in such notice the symptoms associated with such failure; and shall provide to Seller the opportunity to inspect such Products as installed, if possible. The notice must be received by Seller during the Warranty Period for such product, unless otherwise directed in writing by the Seller. Within thirty (30) days after submitting such notice, Buyer shall package the allegedly defective Product in its original shipping carton(s) or a functional equivalent and shall ship to Seller at Buyer's expense and risk.

Within a reasonable time after receipt of the allegedly defective Product and verification by Seller that the Product fails to meet the warranty set forth above, Seller shall correct such failure by, at Seller's options, either (i) modifying or repairing the Product or (ii) replacing the Product. Such modification, repair, or replacement and the return shipment of the Product with minimum insurance to Buyer shall be at Seller's expense. Buyer shall bear the risk of loss or damage in transit, and may insure the Product. Buyer shall reimburse Seller for transportation cost incurred for Product returned but not found by Seller to be defective. Modification or repair, of Products may, at Seller's option, take place either at Seller's facilities or at Buyer's premises. If Seller is unable to modify, repair, or replace a Product to conform to the warranty set forth above, then Seller shall, at Seller's option, either refund to Buyer or credit to Buyer's account the purchase price of the Product less depreciation calculated on a straight-line basis over Seller's stated Warranty Period.

THESE REMEDIES SHALL BE THE BUYER'S EXCLUSIVE REMEDIES FOR BREACH OF WARRANTY. EXCEPT FOR THE EXPRESS WARRANTY SET FORTH ABOVE, SELLER GRANTS NO OTHER WARRANTIES, EXPRESS OR IMPLIED BY STATUTE OR OTHERWISE, REGARDING THE PRODUCTS, THEIR FITNESS FOR ANY PURPOSE, THEIR QUALITY, THEIR MERCHANTABILITY, THEIR NON-INFRINGEMENT, OR OTHERWISE. NO EMPLOYEE OF SELLER OR ANY OTHER PARTY IS AUTHORIZED TO MAKE ANY WARRANTY FOR THE GOODS OTHER THAN THE WARRANTY SET FORTH HEREIN. SELLER'S LIABILITY UNDER THE WARRANTY SHALL BE LIMITED TO A REFUND OF THE PURCHASE PRICE OF THE PRODUCT. IN NO EVENT SHALL SELLER BE LIABLE FOR THE COST OF PROCUREMENT OR INSTALLATION OF SUBSTITUTE GOODS BY BUYER OR FOR ANY SPECIAL, CONSEQUENTIAL, INDIRECT, OR INCIDENTAL DAMAGES.

Buyer assumes the risk and agrees to indemnify Seller against and hold Seller harmless from all liability relating to (i) assessing the suitability for Buyer's intended use of the Products and of any system design or drawing and (ii) determining the compliance of Buyer's use of the Products with applicable laws, regulations, codes, and standards. Buyer retains and accepts full responsibility for all warranty and other claims relating to or arising from Buyer's products, which include or incorporate Products or components manufactured or supplied by Seller. Buyer is solely responsible for any and all representations and warranties regarding the Products made or authorized by Buyer. Buyer will indemnify Seller and hold Seller harmless from any liability, claims, loss, cost, or expenses (including reasonable attorney's fees) attributable to Buyer's products or representations or warranties concerning same.

INDEX

Numerics

15" LCD Touchmonitor (1515L-XXXC-1-G)
Dimensions, 32

A

About the Product, 8
About Touchmonitor Adjustments, 17
AccuTouch Touchmonitor Specifications, 31

B

Brightness, 30

C

Care and Handling of Your Touchmonitor, 28
Certifications, 30
Cleaning Your Touchmonitor, 28
Construction, AccuTouch, 31
Contrast Ratio, 30
Controls and Adjustment, 19

D

Dimensions (HxWxD), 30
Display Angle, 22
Display Color, 30
Display Mode, 30
Display Size, 30

E

Electrical Safety Information, 33
Emissions and Immunity Information, 33
Expected Life Performance, AccuTouch, 31

F

Front Control, 30
Front Panel Controls, 18

G

Gloss, AccuTouch, 31

H

Haze, AccuTouch, 31

I

Image problem, 23

Image, scrolling, 23

Input Signal, 30

Installing APR USB Touch Driver for Windows XP, 16

Installation and Setup, 9

Installing the Driver Software, 12

Installing the Serial Touch Driver, 13

Installing the Serial Touch Driver for MS-DOS and
Windows 3.1, 14

Installing the Serial Touch Driver for Windows Vista,
Windows XP, Windows 2000, Me, 95/98 and
NT 4.0, 13

Installing the USB Touch Driver, 15

Installing the USB Touch Driver for Windows Vista,
Windows XP, Windows 2000, Me, 95/98 and
NT 4.0, 15

L

Light Transmission, AccuTouch, 31

M

Main Unit, 10
Max. Resolution, 30
Mechanical, AccuTouch, 31
MSR Interface, 10

N

Native Resolution, 25

O

Operating Conditions, 30
Optical, AccuTouch, 31
OSD, 30
OSD Control Options, 20
OSD Lock/Unlock, 19
OSD Menu Functions, 19

P

Pixel Pitch, 30
Plug & Play, 30
Positional Accuracy, AccuTouch, 31
Power Adapter, 30
Power Management System, 22
Precautions, 7
Product Description, 7
Product Overview, 10

R

Rear View, 10
Regulatory Information, 33
Response Time, 30

S

Signal Connector, 30
Solutions to Common Problems, 23
Storage Conditions, 30
Surface Durability, AccuTouch, 31
SVGA, 25
SXGA, 25

T

Technical Specifications, 29
Touch Activation Force, AccuTouch, 31
Touch Interface Connection, 11
Touch not working, 23
Touch Panel (optional), 30
Touchmonitor Safety, 27
Touchmonitor Specifications, 30
Touchpoint Density, AccuTouch, 31
Troubleshooting, 23

U

Unpacking Your Touchmonitor, 9
UXGA, 25

V

VGA, 25
Viewing Angle, 30
Visual Resolution, AccuTouch, 31

W

Warranty, 37
Weight (Net), 30

X

XGA, 25

Check out Elo TouchSystems Web site!

www.elotouch.com

Get the latest...

- **Product information**

 - **Specifications**

 - **News on upcoming events**

 - **Press release**

 - **Software drivers**
-

Getting in Touch with Elo

To find out more about Elo's extensive range of touch solutions, visit our Web site at www.elotouch.com or simply call the office nearest you:

North American

Elo TouchSystems, Inc.
301 Constitution Drive,
Menlo Park, CA 94025
USA

(800) ELO-TOUCH(800-356-8682)
Tel 650-361-4700
Fax 650-361-4747
eloinfo@elotouch.com

Europe

Elo TouchSystems GmbH & Co. KG
Haidgraben 6
D-85521 Ottobrunn
Germany

Tel +49(89)60822-0
Fax +49(89)60822-150
elosales@elotouch.com

Belgium

Elo TouchSystems
Diestsesteenweg 692
B-3010 Kessel-Lo
Belgium

Tel +32(16)35-2100
Fax +32(16)35-2101
elosales@elotouch.com

Asia-Pacific

Touch Panel Systems K.K
Sun Homada Bldg. 2F
1-19-20 Shin-Yokohama
Kanagawa 222-0033
Japan

Tel +81(45)478-2161
Fax +81(45)478-2180
www.tps.co.jp

© 2007 Elo TouchSystems Inc. Printed in USA



Our commitment. Your advantage.