



Leitor Opticon OPR-3201 Laser

O conjunto optico do OPR3201 está posicionado para proporcionar estabilidade do laser com movimento da mão durante a leitura. Juntamente com a pistola ergonômica estas características tornam mais fácil e confortável fazer a leitura dos códigos de barras.

www.bztech.com.br

Introduction

- Read this quick start guide carefully before installing or/and using the stand.
- Keep this quick start guide for future reference and store in a safe place.

CAUTION

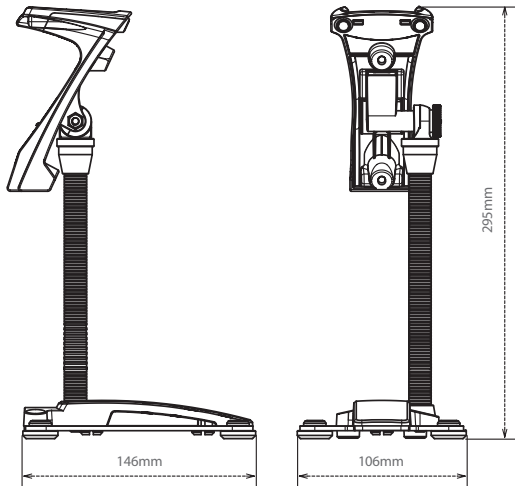
- This quick start guide may be revised or withdrawn at any time without prior notice.
- This quick start guide may not, in whole or in part, be copied, photocopied, reproduced, translated or converted to any electronic or machine readable form without prior written consent of Opticon.
- Trademarks used are property of their respective owners.
- Under no circumstances shall Opticon be held responsible for any special, incidental, consequential or indirect damages howsoever caused.

⚠ Handling Instructions

- The STD-3201 is the designated stand for the OPR-3201 handheld laser scanner.
- Do not dismantle the stand.
- Do not drop the stand.
- Do not install the stand on unstable surfaces.
- Do not place heavy objects on top of the stand.
- Do not expose the scanner to intense heat.
- Do not hold the Scanner Cradle when adjusting the Stand Arm.

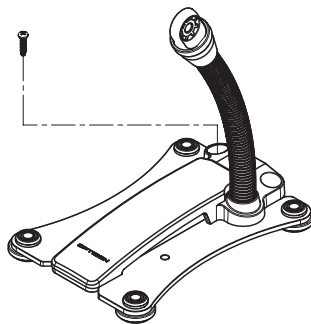
Overview

Dimensions	(H) 295 × (W) 106 × (D) 146 mm Max (H) 11.6 × (W) 5.75 × (D) 4.17 in. Max
Weight	385g Max (13.58 oz / 0.85 lb)
Color	Black or White



Accessories & Optional Parts

Please use commercially available M3 or M4 screws to mount the stand.



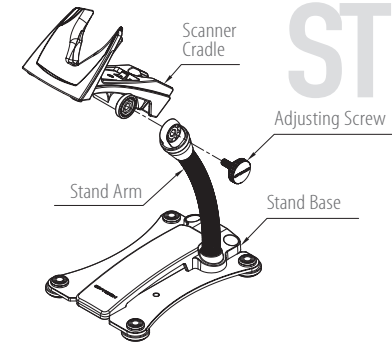
Note

Over-tightening the screws may cause the stand to break.

Using the Stand

STEP 1

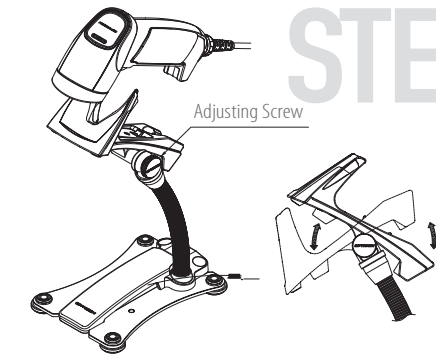
Use the Adjusting Screw to connect the Stand Arm with the Scanner Cradle as shown in the diagram.



STEP 1

STEP 2

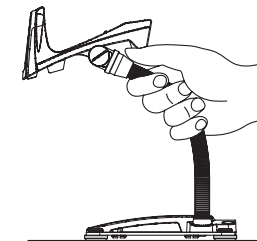
Adjust the angle of the Scanner Cradle by first loosening the Adjusting Screw and then tightening it once the Scanner Cradle has been placed in the desired position.



STEP 2

STEP 3

Make sure to place one hand on the Stand Base and hold the Stand Arm with the other hand when adjusting the height and the angle of the stand.



STEP 3

Note

Do not hold the Scanner Cradle when adjusting the Stand Arm.

Contact

Please contact Opticon or your local dealer.

The Netherlands	Opticon Sensors Europe B.V. tel: +31 (0)23-5692700 / email: sales@opticon.com	Sweden	Opticon Sensors Nordic AB tel: +46 (0)8-58548560 / email: henrik@opticon-sensors.se
U.S.A.	Opticon Inc. tel: 800-636-0090 / email: opticon@opticonUSA.com	United Kingdom	Opticon Limited tel: +44 (0)1582-635100 / email: sales@opticon.co.uk
France	Opticon S.A.S. tel: +33 (0)1-41461260 / email: opticon@opticon.fr	Taiwan	Opticon Far Eastern Ltd. tel: +886 2-27597444 / email: taiwan@opticon.com
Germany	Opticon Sensoren GmbH tel: +49 (0)6074-91890-0 / email: sales.de@opticon.com	China	Opticon Sensors Europe B.V., Shanghai Representative Office tel: +86 21-64480881 / email: china@opticon.com
Italy	Opticon s.r.l. tel: +39 (0)051-6321800 / email: opticon@opticonitalia.it	Australia	Opticon Sensors Pty. Ltd. tel: +61 (0)2-43402666 / email: sales@opticon.com.au
Spain	Opticon Sensores S.L. tel: +34 (0)902-747469 / email: info@opticon.es	Brazil	Opticon Sensors Europe B.V., Latin American Office tel: +55 11-8322 2244 / email: sales.la@opticon.com