



# Leitor Fixo Honeywell 4850dr

O Leitor Honeywell 4850dr é direcionado especialmente para farmácias e drogarias, pois facilita o trabalho de controle das receitas e dos medicamentos. Além de digitalizar a receita e ler os códigos de barras, o leitor também salva as imagens em diversos tamanhos.

[www.bztech.com.br](http://www.bztech.com.br)



# 4850DR

---

Document Reader

## Quick Start Guide

Aller à [www.honeywellaidc.com](http://www.honeywellaidc.com) pour le français. FR

Vai a [www.honeywellaidc.com](http://www.honeywellaidc.com) per l'italiano. IT

Gehe zu [www.honeywellaidc.com](http://www.honeywellaidc.com) für Deutsch. DE

Ir a [www.honeywellaidc.com](http://www.honeywellaidc.com) para español. ES

如要到中国 [www.honeywellaidc.com](http://www.honeywellaidc.com) (简体)。SC

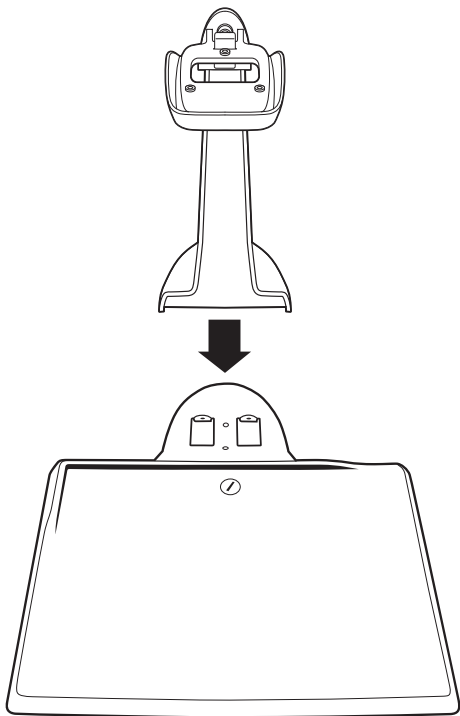
查看繁体版请登陆 [www.honeywellaidc.com](http://www.honeywellaidc.com) TC



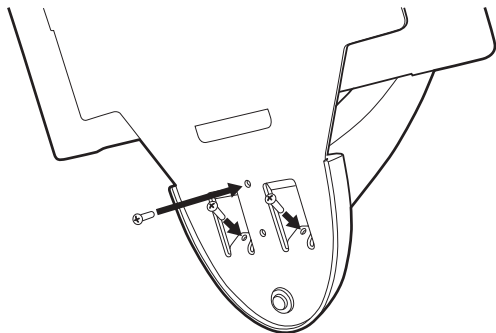
*Note: Refer to your Bar Code Manual for information about cleaning your device.*

## **Assembling the 4850DR**

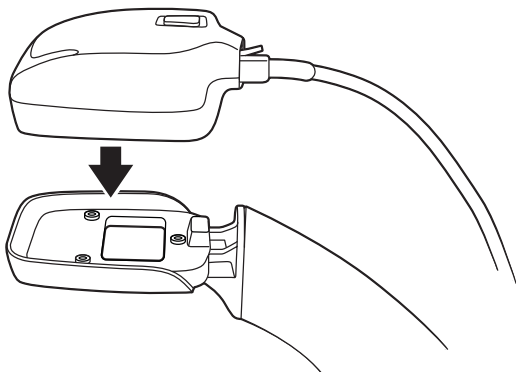
Place the arm on the tray.



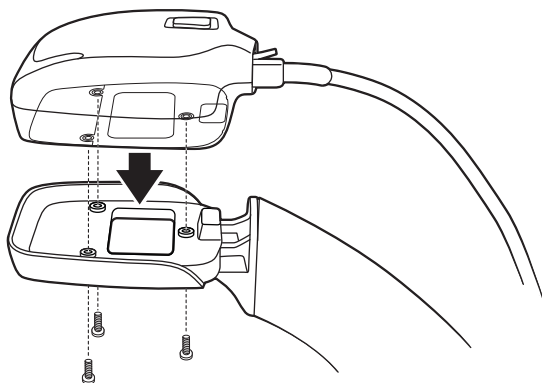
Attach the arm to the underside of the tray with the 3 screws from the bag marked 50121545-001.



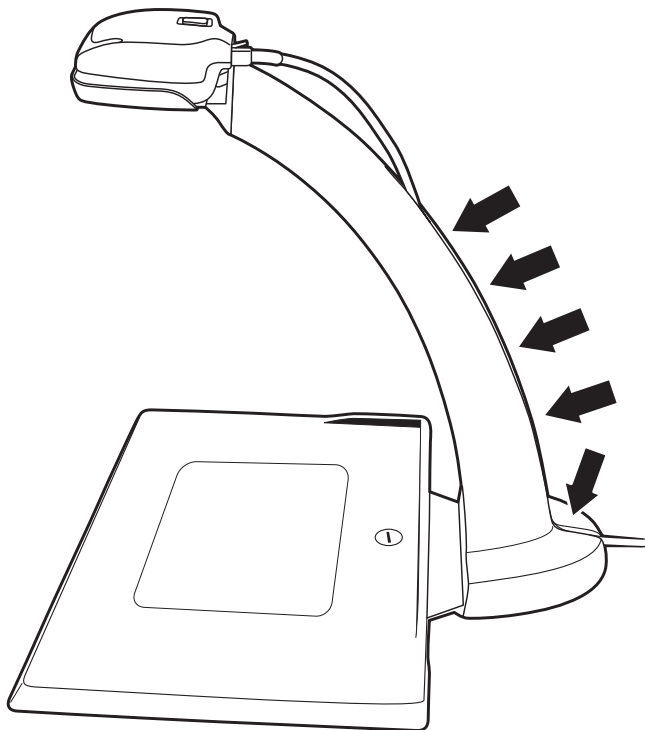
Place the scanner in the stand.



3



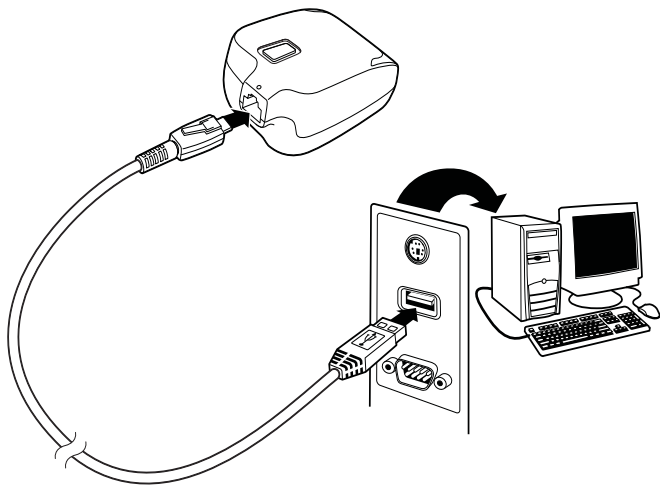
Press the cable firmly into the wire run along the back of the arm.  
(You must use the USB cable that's supplied with the 4850DR or a compatible 5 volt powered cable.)



## ***Connecting to the Host***

Turn off computer's power before connecting the document reader, then power up the computer once the document reader is fully connected.

### ***USB Connection***



## ***Interface***

Scan the bar code that describes the PC or interface you are using.



PAPER124.

USB Keyboard (PC)



PAPER131.

USB HID Bar Code Reader



TERMID130.

USB COM Port Emulation

If you scan the **USB COM Port Emulation** code and are using a Microsoft® Windows® PC, you will need to download a USB Serial driver from the Honeywell website ([www.honeywellaidc.com](http://www.honeywellaidc.com)). The driver will use the next available COM Port number. Apple® Macintosh computers recognize the scanner as a USB CDC class device and automatically use a class driver.



## ***Aligning the Document Reader Tray***

Proper cable placement is important for accurate alignment of the device. Place the cable in the wire channel if the scanner will remain in the base most of the time. If you plan to frequently lift out the scanner to scan items, then set the cable in the location where it will rest while the scanner is in the stand.

*Note: The 4850DR will not capture any images until it has been properly aligned using the following procedure.*

1. Loosen the screw in the base tray with a coin.
2. Place the alignment page on the tray. Align the upper left corner of the alignment page to the upper left corner of the tray.
3. Make sure the serial number on the alignment page matches the serial number on your document reader.



4850DR serial number → 07150A181D

4. Press the button on the scanner to display the illuminated aimer crosshairs. You will hear a single beep that indicates you are using the correct page.  
(If you hear an error razz and the aimer turns off, then you have the wrong alignment page for your document reader.)
5. Move the tray until the illuminated aimer crosshairs line up with the printed crosshairs on the alignment page. (Be sure to wait until the crosshairs go off before removing power or attempting to capture an image.)

6. Remove the alignment page and tighten the screw. Save the alignment page in the event that the tray needs to be realigned in the future.

*Note: If you need to print a new copy of the alignment page, make sure to print the page in landscape mode.*

## **Scanning Technique**

Center a document in the document reader tray. (Smaller documents should be centered in the pocket in the tray.) Press the button on the scanner. The view finder projects an aiming beam to indicate the image capture area.

## **EZConfig-Scanning**

To access additional features for the scanner use EZConfig-Scanning, an online configuration software tool, available from our website at [www.honeywellaidc.com](http://www.honeywellaidc.com).

## **Technical Assistance**

Contact information for technical support, product service, and repair can be found at [www.honeywellaidc.com](http://www.honeywellaidc.com).

## **Limited Warranty**

Refer to [www.honeywellaidc.com/warranty\\_information](http://www.honeywellaidc.com/warranty_information) for your product's warranty information.

## **Patents**

For patent information, refer to [www.honeywellaidc.com/patents](http://www.honeywellaidc.com/patents).

## ***User Documentation***

For localized versions of this document, and to download the User's Guides, go to [www.honeywellaidc.com](http://www.honeywellaidc.com).

## ***Disclaimer***

Honeywell International Inc. ("HII") reserves the right to make changes in specifications and other information contained in this document without prior notice, and the reader should in all cases consult HII to determine whether any such changes have been made. The information in this publication does not represent a commitment on the part of HII.

HII shall not be liable for technical or editorial errors or omissions contained herein; nor for incidental or consequential damages resulting from the furnishing, performance, or use of this material.

This document contains proprietary information that is protected by copyright. All rights are reserved. No part of this document may be photocopied, reproduced, or translated into another language without the prior written consent of HII.

© 2014 Honeywell International Inc. All rights reserved.

Web Address: [www.honeywellaidc.com](http://www.honeywellaidc.com)