



Leitor Datalogic PowerScan PD8300

O leitor a laser PowerScan PD8330 oferece o mais avançado desempenho em um produto industrial com fio. Oferece as 3 Luzes Verdes (3GL™) exclusivas da Datalogic para feedback de boa leitura.

Datalogic Scanning, Inc.
959 Terry Street
Eugene, Oregon 97402
USA
Telephone: (541) 683-5700
Fax: (541) 345-7140

An Unpublished Work - All rights reserved. No part of the contents of this documentation or the procedures described therein may be reproduced or transmitted in any form or by any means without prior written permission of Datalogic Scanning, Inc. or its subsidiaries or affiliates ("Datalogic" or "Datalogic Scanning"). Owners of Datalogic products are hereby granted a non-exclusive, revocable license to reproduce and transmit this documentation for the purchaser's own internal business purposes. Purchaser shall not remove or alter any proprietary notices, including copyright notices, contained in this documentation and shall ensure that all notices appear on any reproductions of the documentation. Should future revisions of this manual be published, you can acquire printed versions by contacting your Datalogic representative. Electronic versions may either be downloadable from the Datalogic website (www.scanning.datalogic.com) or provided on appropriate media. If you visit our website and would like to make comments or suggestions about this or other Datalogic publications, please let us know via the "Contact Datalogic" page.

DISCLAIMER

Datalogic has taken reasonable measures to provide information in this manual that is complete and accurate, however, Datalogic reserves the right to change any specification at any time without prior notice. Datalogic is a registered trademark of Datalogic S.p.A. in many countries and the Datalogic logo is a trademark of Datalogic S.p.A. all licensed to Datalogic Scanning, Inc. All other trademarks and trade names referred to herein are property of their respective owners.

SERVICE AND SUPPORT

Datalogic provides several services as well as technical support through its website. Log on to www.scanning.datalogic.com and click on the links indicated for further information including:

- **PRODUCTS**
Search through the links to arrive at your product page where you can download specific **Manuals and Software & Utilities** including:
 - **Datalogic Aladdin™**, a multi-platform utility program that allows device configuration using a PC. It provides RS-232 interface configuration as well as configuration barcode printing.
- **SERVICE & SUPPORT**
 - **Technical Support** - Product documentation and programming guides and Technical Support Department in the world
 - **Service Programs** - Warranty Extensions and Maintenance Agreements
 - **Repair Services** - Flat Rate Repairs and Return Material Authorization (RMA) Repairs.
 - **Downloads** - Manuals & Documentation, Data Sheets, Product Catalogues, etc.
- **CONTACT US**
Information Request Form and Sales & Service Network



July-2011



PowerScan™ D8340

READERS

QUICK REFERENCE GUIDE

UPDATES AND LANGUAGE AVAILABILITY

UK/US

The latest drivers and documentation updates for this product are available on the Internet.

Log on to: www.scanning.datalogic.com

I

Su Internet sono disponibili le versioni aggiornate di driver e documentazione di questo prodotto. Questo manuale è disponibile anche nella versione italiana.

Collegarsi a: www.scanning.datalogic.com

D

Im Internet finden Sie die aktuellsten Versionen der Treiber und Dokumentation für dieses Produkt. Die deutschsprachige Version dieses Handbuchs ist auch verfügbar.

Adresse : www.scanning.datalogic.com

F

Les versions mises à jour de drivers et documentation de ce produit sont disponibles sur Internet. Ce manuel est aussi disponible en version française.

Cliquez sur : www.scanning.datalogic.com

E

En Internet están disponibles las versiones actualizadas de los drivers y documentación de este producto. También está disponible la versión en español de este manual.

Dirección Internet : www.scanning.datalogic.com

Datalogic Scanning, Inc.
959 Terry Street
Eugene, OR 97402
USA



dichiara che
declares that the
déclare que le
bescheinigt, daß das Gerät
declare que el

POWERSCAN D8xx

e tutti i suoi modelli
and all its models
et tous ses modèles
und seine Modelle
y todos sus modelos

sono conformi alle Direttive del Consiglio Europeo sottoelencate:
are in conformity with the requirements of the European Council Directives listed below:
sont conformes aux spécifications des Directives de l'Union Européenne ci-dessous:
den nachstehenden angeführten Direktiven des Europäischen Rats:
cumple con los requisitos de las Directivas del Consejo Europeo, según la lista siguiente:

89/336/EEC EMC Directive	e and et und y	92/31/EEC, 93/68/EEC	emendamenti successivi further amendments ses successifs amendements späteren Abänderungen sucesivas enmiendas
--------------------------	----------------------------	----------------------	--

Basate sulle legislazioni degli Stati membri in relazione alla compatibilità elettromagnetica ed alla sicurezza dei prodotti.

On the approximation of the laws of Member States relating to electromagnetic compatibility and product safety.

Basée sur la législation des Etats membres relative à la compatibilité électromagnétique et à la sécurité des produits.

Über die Annäherung der Gesetze der Mitgliedsstaaten in bezug auf elektromagnetische Verträglichkeit und Produktsicherheit entsprechen.

Basado en la aproximación de las leyes de los Países Miembros respecto a la compatibilidad electromagnética y las Medidas de seguridad relativas al producto.

Questa dichiarazione è basata sulla conformità dei prodotti alle norme seguenti:

This declaration is based upon compliance of the products to the following standards:

Cette déclaration repose sur la conformité des produits aux normes suivantes:

Diese Erklärung basiert darauf, daß das Produkt den folgenden Normen entspricht:

Esta declaración se basa en el cumplimiento de los productos con las siguientes normas:

EN 55022 (CLASS A ITE), August 1994:
AMENDMENT A1 (CLASS A ITE), October 2000:

LIMITS AND METHODS OF MEASUREMENTS OF RADIO
DISTURBANCE CHARACTERISTICS OF INFORMATION
TECHNOLOGY EQUIPMENT

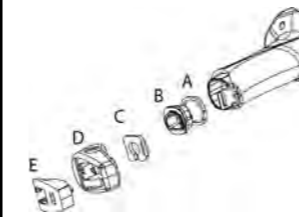
EN 61000-6-2, October 2001:

ELECTROMAGNETIC COMPATIBILITY (EMC).
PART 6-2: GENERIC STANDARDS - IMMUNITY FOR
INDUSTRIAL ENVIRONMENTS.

March 1st, 2007

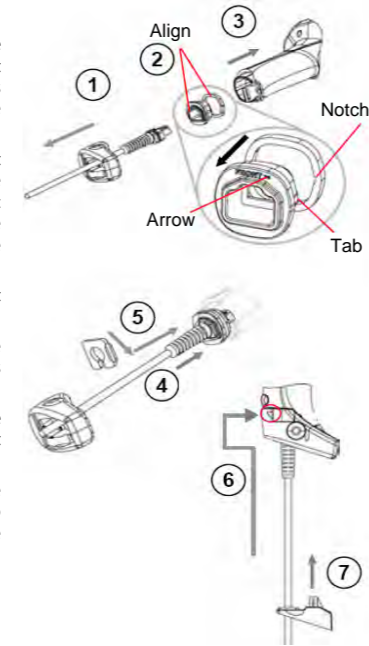
CONNECTIONS

CONNECTING THE CABLE



- A. Rubber gasket
- B. Plastic boot
- C. Cable spacer
- D. Cover
- E. Strain relief

1. Slip the cover over the cable.
2. Push the plastic boot into the rubber gasket. Take care that the tab on the plastic boot is aligned with the notch in the rubber gasket.
3. Push the plastic boot and gasket into the handle. Ensure that the "Front" marking on the plastic boot is facing out, with the arrow pointing towards the front of the scanner.
4. Insert the cable into the socket of the plastic boot.
5. Insert the cable spacer into the cable wire and slide it towards the handle.
6. Push the cover along the cable towards the reader, and hook it over the yellow "tooth".
7. Insert the strain relief into the cover and tighten the screw to fix the whole assembly to the reader handle.



COMPLIANCE

LASER SAFETY COMPLIANCE

The laser scanner conforms to the applicable requirements of both CDRH 21 CFR 1040 and EN60825-1 at the date of manufacture.

The laser light is visible to the human eye and is emitted from the output window (1).

Laser warning and classification label (2).



CAUTION:

Use of controls or adjustments or performance of procedures other than those specified herein may result in exposure to hazardous visible laser light.

The laser scanner utilizes a low-power laser diode. Although staring directly at the laser beam momentarily causes no known biological damage, avoid staring at the beam as one would with any very strong light source, such as the sun. Avoid that the laser beam hits the eye of an observer, even through reflective surfaces such as mirrors, etc.

The following information is shown on the laser scanner device class label:



ITALIANO	LUCE LASER NON FISSARE IL RAGGIO APPARECCHIO LASER DI CLASSE 2
FRANÇAIS	RAYON LASER EVITER DE REGARDER LE RAYON APPAREIL LASER DE CLASSE 2
DEUTSCH	LASERSTRAHLUNG NICHT IN DEN STRAHL BLICKEN PRODUKT DER LASERKLASSE 2
ESPAÑOL	RAYO LÁSER NO MIRAR FUJO EL RAYO APARATO LÁSERDE CLASE 2

LED CLASS

Class 1 LED product.

This product conforms to EN60825-1:2001.

CE COMPLIANCE

Warning:

This is a Class A product. In a domestic environment this product may cause radio interference in which case the user may be required to take adequate measures.

FCC COMPLIANCE

Modifications or changes to this equipment without the expressed written approval of Datalogic could void the authority to use the equipment.

This device complies with PART 15 of the FCC Rules. Operation is subject to the following two conditions: (1) This device may not cause harmful interference, and (2) this device must accept any interference received, including interference which may cause undesired operation.

This equipment has been tested and found to comply with the limits for a Class A digital device, pursuant to part 15 of the FCC Rules. These limits are designed to provide reasonable protection against harmful interference when the equipment is operated in a commercial environment. This equipment generates, uses, and can radiate radio frequency energy and, if not installed and used in accordance with the instruction manual, may cause harmful interference to radio communications. Operation of this equipment in a residential area is likely to cause harmful interference in which case the user will be required to correct the interference at his own expense.

POWER SUPPLY

This device is intended to be connected to a UL Listed/CSA Certified computer which supplies power directly to the reader or else be supplied by a UL Listed/CSA Certified Power Unit marked "Class 2" or LPS power source rated 4 - 30 V, minimum 420 mA, which supplies power directly to the reader via the power connector of the cable.

WEEE COMPLIANCE



For information about the disposal of Waste Electrical and Electronic Equipment (WEEE), please refer to the website at www.scanning.datalogic.com.

PATENTS

This product is covered by one or more of the following patents.

Design Pat. AU 310201; AU 310202; CN 693980; CN735959; HK 0602013.5M001; HK 0602013.5M002; JP 1305693; KR 30-0460940; US D570,843 S; USD588,596 S.

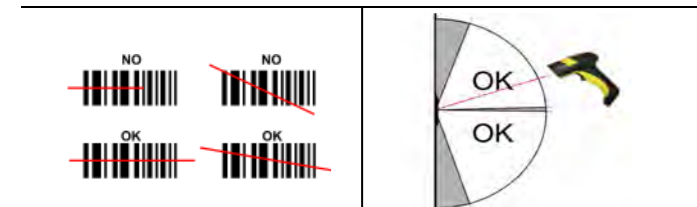
US Pat. 5,992,740; 6,305,606 B1; 6,517,003; 6,808,114 B1; 6,997,385 B2; 7,387,246 B2; 5,367,151; 5,449,893; 5,545,889; 6,098,877; 6,220,514 B1; 6,412,698 B2; 6,607,132 B1; 6,817,529 B2; 6,834,805 B2; 7,948,214 B2.

European Pat. 789,315 B1; 895,175 B1; 1,128,314 B1; 1,128,315 B1; 1,396,811 B1; 1,413,971 B1; 1,816,585 B1; 1,942,442 B1.

Additional patents pending.

USING POWERSCAN™ D8340 SERIES READERS

PowerScan™ D8340 readers automatically scan barcodes **at a distance**. Simply aim and pull the trigger. Code scanning is performed along the scan line emitted from the reading window. This line must cross the entire code. The best reading angles are indicated in the figure below.:



TECHNICAL FEATURES

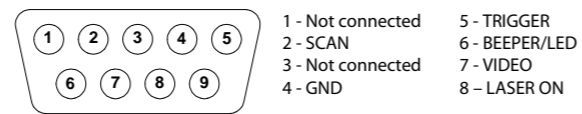
PowerScan™ D8340/ D8340 AR

Electrical Features	PowerScan™ D8330	PowerScan™ D8330 AR
Power Supply	4 to 30 VDC	
Max. Consumption:	0.076 mm (3 mils)	0.25 mm (10 mils)
@ 4V	420 mA	500 mA
@5V	310 mA	370 mA
@30V	62 mA	70 mA
Sleep mode	4 mA	4 mA
Scan Rate	35 ± 5 scans/sec	
Reading Indicators	Good Read LED (green) Good Read Spot (green), Beeper	
Optical Features		
Reading Field (Typical performance at 20°C / 68°F on high quality barcodes)	97.8 cm (38.5 in) @ 40 mils	12.5 m (41.0 ft) @ 100 mils reflective
Max. Resolution	0.076 mm (3 mils)	0.178 (7.5 mils)
PCS (Datalogic Test Chart)	15%	25%
Laser Features		
Power (max)	0.9 mW	1.3 mW
Scan Angle	42°	13.5° ± 0.7
Laser Safety Class	Class 2 EN 60825-1/CDRH	
Environmental Features		
Working Temperature	-30 °C to + 50 °C / -22° to +122 °F	
Storage Temperature	-30 °C to + 70 °C / -22° to +158 °F	
Humidity	90% non condensing	
Drop Resistance	IEC 68-2-32 Test ED 2 m	
Protection Class	IP65	
Mechanical Features		
Weight (without cable)	about 295 g (10.4 oz)	
Cable Length	2 m (6 ft 6 in)	

ELECTRICAL CONNECTIONS

The PowerScan™ D8340/D8340 AR scanner can be used with CAB 468 (coiled cable and 9-pin male connector) for direct connection to the DATAPLUS and DLD series decoders.

CAB 468



9-pin male connector

A definition of the terms used to identify the pins is as follows:

SCAN This scanner “open collector” output signal is used to synchronize the decoding logic with the scanner. Each transition of this signal from low-to-high or high-to-low corresponds to the start of a scan. The signal is a TTL level 57 ms period square wave (see the following figure Video and Scan signals).

GND Supply ground and signal reference.

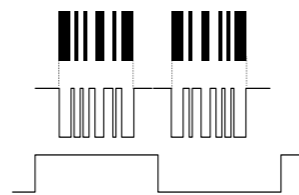
TRIGGER This output is connected to GND when the trigger is pressed and is left floating when the trigger is released.

BEEPER/LED This scanner input drives the green decoding LED, and the beeper in the scanner. The LED turns on when a positive current is applied to the pin. The beeper sound is obtained pulsating this current at a frequency of about 2 kHz. The maximum voltage that can be applied to this input is 5 VDC.

VIDEO This “open collector” scanner output is electrically identical to the barcode. It supplies a series of pulses the length of which are proportional to the width of the elements within the barcode read. A low output level corresponds to a bar. The frequency of the pulses depends on the density of the code, the distance from code and the programmed output scan frequency (see the following figure Video and Scan signals).

LASER ON A positive voltage between 4.75 and 5 VDC is applied to this input by the decoder when the decoding logic senses the trigger is pressed; this causes the laser to start scanning and the red LED to turn on.

+VCC This input must be connected to the positive pin of the supply voltage (4.75 - 14 VDC). When the LASER ON pin is positive, all the current necessary to power the scanner flows through +VCC.



Video and Scan Signals

DATALOGIC SCANNING LIMITED FACTORY WARRANTY

Warranty Coverage

Datalogic warranties this product against defects in workmanship and materials, for a period of 3 years from the date of shipment, provided that the product is operated under normal and proper conditions.

Datalogic Scanning (“Datalogic”) hardware products are warranted against defects in material and workmanship under normal and proper use. The liability of Datalogic under this warranty is limited to furnishing the labor and parts necessary to remedy any defect covered by this warranty and restore the product to its normal operating condition. Repair or replacement of product during the warranty does not extend the original warranty term. Products are sold on the basis of specifications applicable at the time of manufacture and Datalogic has no obligation to modify or update products once sold.

If Datalogic determines that a product has defects in material or workmanship, Datalogic shall, at its sole option repair or replace the product without additional charge for parts and labor, or credit or refund the defective products duly returned to Datalogic. To perform repairs, Datalogic may use new or reconditioned parts, components, subassemblies or products that have been tested as meeting applicable specifications for equivalent new material and products. Customer will allow Datalogic to scrap all parts removed from the repaired product. The warranty period shall extend from the date of shipment from Datalogic for the duration published by Datalogic for the product at the time of purchase (Warranty period). Datalogic warrants repaired hardware devices against defects in workmanship and materials on the repaired assembly for a 90 day period starting from the date of shipment of the repaired product from Datalogic or until the expiration of the original warranty period, whichever is longer. Datalogic does not guarantee, and it is not responsible for, the maintenance of, damage to, or loss of configurations, data, and applications on the repaired units and at its sole discretion can return the units in the “factory default” configuration or with any software or firmware update available at the time of the repair (other than the firmware or software installed during the manufacture of the product). Customer accepts responsibility to maintain a back up copy of its software and data.

Warranty Claims Process

In order to obtain service under the Factory Warranty, Customer must notify Datalogic of the claimed defect before the expiration of the applicable Warranty period and obtain from Datalogic a return authorization number (RMA) for return of the product to a designated Datalogic service center. If Datalogic determines Customer’s claim is valid, Datalogic will repair or replace product without additional charge for parts and labor. Customer shall be responsible for packaging and shipping the product to the designated Datalogic service center, with shipping charges prepaid. Datalogic shall pay for the return of the product to Customer if the shipment is to a location within the country in which the Datalogic service center is located. Customer shall be responsible for paying all shipping charges, duties, taxes, and any other charges for products returned to any other locations. Failure to follow the applicable RMA policy, may result in a processing fee. Customer shall be responsible for return shipment expenses for products which Datalogic, at its sole discretion, determines are not defective or eligible for warranty repair.

Warranty Exclusions

The Datalogic Factory Warranty shall not apply to:

- (i) any product which has been damaged, modified, altered, repaired or upgraded by other than Datalogic service personnel or its authorized representatives;
- (ii) any claimed defect, failure or damage which Datalogic determines was caused by faulty operations, improper use, abuse, misuse, wear and tear, negligence, improper storage or use of parts or accessories not approved or supplied by Datalogic;
- (iii) any claimed defect or damage caused by the use of product with any other instrument, equipment or apparatus;
- (iv) any claimed defect or damage caused by the failure to provide proper maintenance, including but not limited to cleaning the upper window in accordance with product manual;
- (v) any defect or damage caused by natural or man-made disaster such as but not limited to fire, water damage, floods, other natural disasters, vandalism or abusive events that would cause internal and external component damage or destruction of the whole unit, consumable items;
- (vi) any damage or malfunctioning caused by non-restoring action as for example firmware or software upgrades, software or hardware reconfigurations etc.;
- (vii) the replacement of upper window/cartridge due to scratching, stains or other degradation and/or
- (viii) any consumable or equivalent (e.g., cables, power supply, batteries, keypads, touch screen, triggers etc.).

No Assignment

Customer may not assign or otherwise transfer its rights or obligations under this warranty except to a purchaser or transferee of product. No attempted assignment or transfer in violation of this provision shall be valid or binding upon Datalogic

DATALOGIC’S LIMITED WARRANTY IS IN LIEU OF ALL OTHER WARRANTIES, EXPRESS OR IMPLIED, ORAL OR WRITTEN, STATUTORY OR OTHERWISE, INCLUDING, WITHOUT LIMITATION, ANY IMPLIED WARRANTIES OF MERCHANTABILITY, FITNESS FOR A PARTICULAR PURPOSE, OR NONINFRINGEMENT. DATALOGIC SHALL NOT BE LIABLE FOR ANY DAMAGES SUSTAINED BY CUSTOMER ARISING FROM DELAYS IN THE REPLACEMENT OR REPAIR OF PRODUCTS UNDER THE ABOVE. THE REMEDY SET FORTH IN THIS WARRANTY STATEMENT IS THE CUSTOMER’S SOLE AND EXCLUSIVE REMEDY FOR WARRANTY CLAIMS. UNDER NO CIRCUMSTANCES WILL DATALOGIC BE LIABLE TO CUSTOMER OR ANY THIRD PARTY FOR ANY LOST PROFITS, OR ANY INCIDENTAL, CONSEQUENTIAL IN-DIRECT, SPECIAL OR CONTINGENT DAMAGES REGARDLESS OF WHETHER DATALOGIC HAD ADVANCE NOTICE OF THE POSSIBILITY OF SUCH DAMAGES.

Risk of Loss

Customer shall bear risk of loss or damage for product in transit to Datalogic. Datalogic shall assume risk of loss or damage for product in Datalogic’s possession. In the absence of specific written instructions for the return of product to Customer, Datalogic will select the carrier, but Datalogic shall not thereby assume any liability in connection with the return shipment.