



## Tablet Zebra ET40 e ET45

Os tablets Zebra ET40 e ET45 com o preço certo, criados para os negócios. Os clientes obtêm tudo o que precisam, imediatamente. Fino e leve com um estilo de consumo que é difícil para os negócios. Digitalização integrada de nível empresarial.





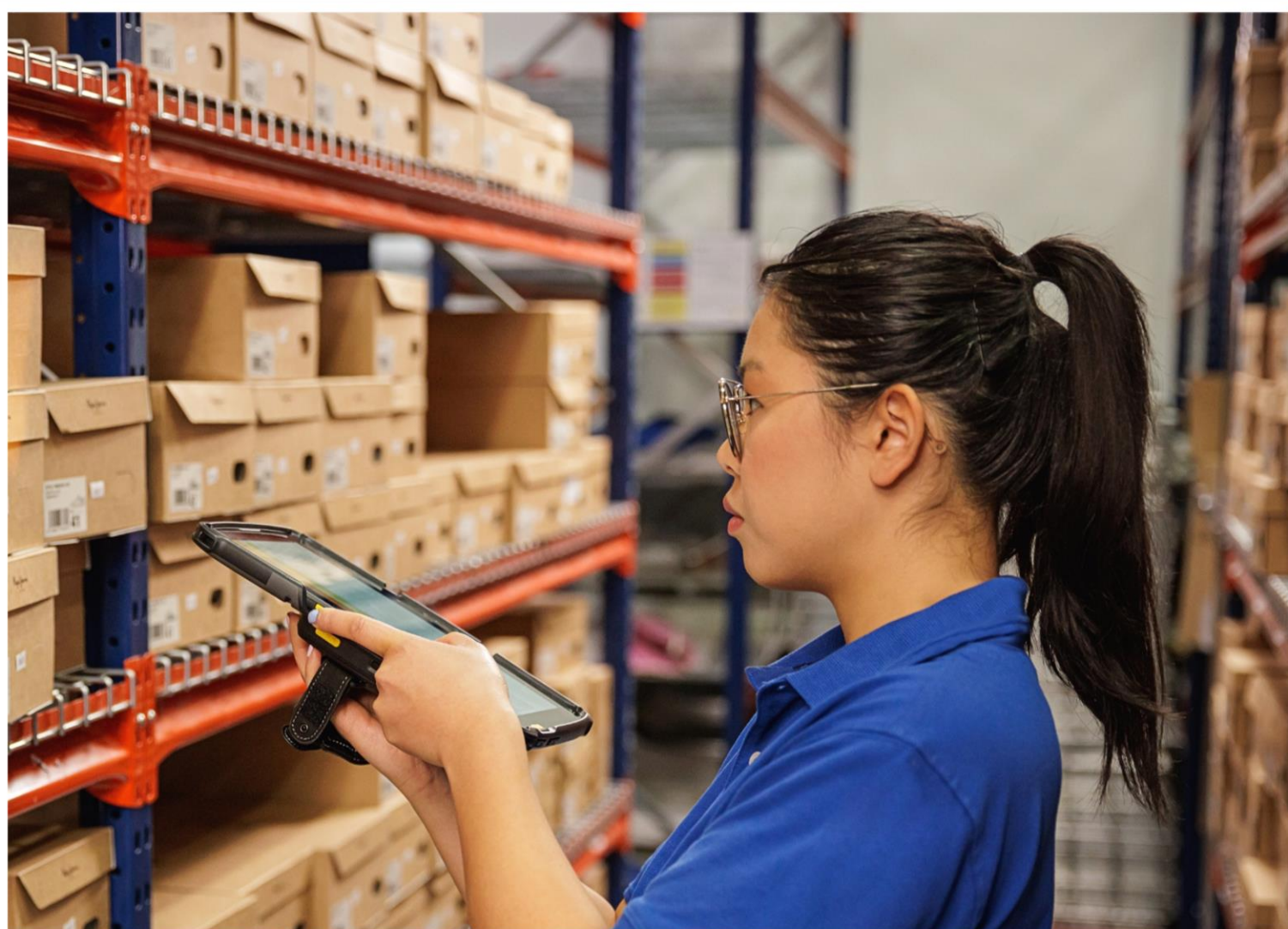
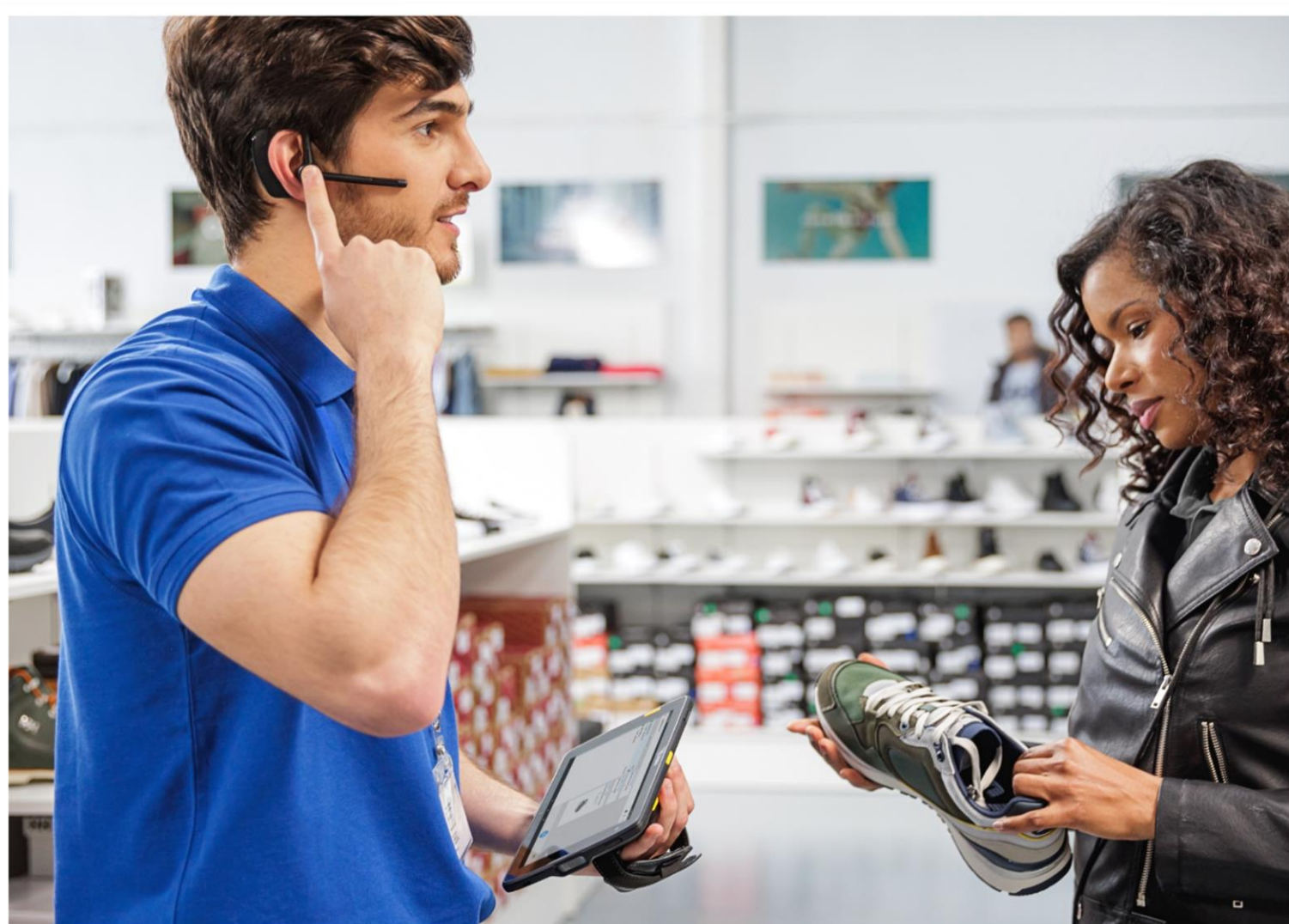
# ET40 and ET45 Accessories Guide

The right-priced rugged tablets  
that have it all

For the latest version of this guide and more,  
please visit [www.zebra.com/et4x](http://www.zebra.com/et4x)

February 2023

v1.6







# Contents

<b>I. Accessories that POWER devices</b>	
<b>Wall Charger and Cradles</b>	<b>3</b>
Wall charger, Single-slot and multi-slot cradles, cradle mounts, VESA adapter	
<b>Expansion Backs and PowerPacks</b>	<b>8</b>
Expansion Backs, PowerPacks, PowerPack chargers	
<b>Power supply</b>	<b>10</b>
Power supplies, cables, adapters	
<b>II. Accessories that PROTECT devices</b>	
<b>Rugged Boots</b>	<b>11</b>
<b>III. Accessories that ENABLE productivity solutions</b>	
<b>Straps</b>	<b>12</b>
Shoulder Straps, Hand Strap, and D-Clips	
<b>Connect Cradle, Hub, and Stand</b>	<b>13</b>
Connect Cradle, Connect Hub, Presentation Stand, Battery Door Adapter, Desktop Mounting Brackets, Communication "Y" cable, Key Tool	
<b>Payment</b>	<b>16</b>
Payment Backs for Ingenico Link 2500i and Zebra PD20	
<b>Stylus and Tethers</b>	<b>17</b>
Plastic Passive Stylus, Fiber Tip Passive Stylus, Tethers	
<b>Headsets – Wired and Wireless</b>	<b>18</b>
Workforce Connect Headsets, Rugged Headsets – wired and wireless, Adapters	
<b>IV. Other Accessories / Spare / Replacement Parts</b>	<b>20</b>
Spare internal batteries, battery covers, replacement hand straps, etc.	
<b>V. Third Party Accessories</b>	
<b>RAM® Mounts and GDS® Tech™</b>	<b>23</b>
<b>ENS</b>	<b>25</b>
<b>Gamber-Johnson</b>	<b>27</b>
<b>ProClip</b>	<b>29</b>
<b>MTI</b>	<b>31</b>

## Wall Charger



### USB Wall Power Supply

SKU# PWR-WUA5V12W0XX

USB type A Wall Power Supply adaptor 5V 2.5A

Replace 'XX' in SKU as follows to get the right plug style based on region:

[US](#) (United States) • [GB](#) (United Kingdom) • [EU](#) (European Union) •  
[AU](#) (Australia) • [CN](#) (China) • [IN](#) (India) • [KR](#) (Korea) • [BR](#) (Brazil)

- Charges a single ET40/ET45 tablet
- 8" tablet charges from 0–80% in less than 2.5 hours
- 10" tablet charges from 0–80% in less than 3 hours
- Requires a USB cable sold separately

Sold separately:

- USB C to USB A communications and charging cable [SKU# CBL-TC5X-USBC2A-01](#)

### Single Slot Cradle



#### Single-slot Charge-only Cradle

SKU# CRD-ET4X-1SCG1-01

Single-slot charge-only cradle. Charges a single ET40/ET45 tablet.

- Accommodates tablet with or without rugged boot, expansion back, or payment back.
- 8" tablet charges from 0–80% in less than 2 hours.
- 10" tablet charges from 0–80% in less than 2.5 hours.

Sold separately:

- Power supply SKU# PWR-BGA12V50W0WW and DC cable SKU# CBL-DC-388A1-01.
- Country-specific AC line cord (options listed in this document) compatible with the power supply SKU.





## Multi Slot Cradles



### Four-slot Charge-only Cradle for 8" Tablets

SKU# [CRD-ET4X-4S8I1-01](#)

Four-slot charge-only ShareCradle with T-adapters for 8" tablets. Charges up to four 8" ET40/ET45 tablets.

- Accommodates tablet with or without rugged boot, expansion back, or payment back.
- T-adapter in each device slot can be flipped/rotated to fit a tablet only configuration or tablet with rugged boot configuration.
- Includes space to install optional four-slot PowerPack battery charger.
- 8" tablet charges from 0–80% in less than 2 hours.

Sold separately:

- Power supply [SKU# PWR-BGA12V108W0WW](#) and DC cable [SKU# CBL-DC-382A1-01](#).
- Country-specific AC line cord (options listed in this document) compatible with the power supply SKU.
- Optional 4-slot PowerPack battery charger [SKU# SAC-ET5X-4PPK1-01](#) and related power cables.



### Four-slot Charge-only Cradle for 10" Tablets

SKU# [CRD-ET4X-4S10I1-01](#)

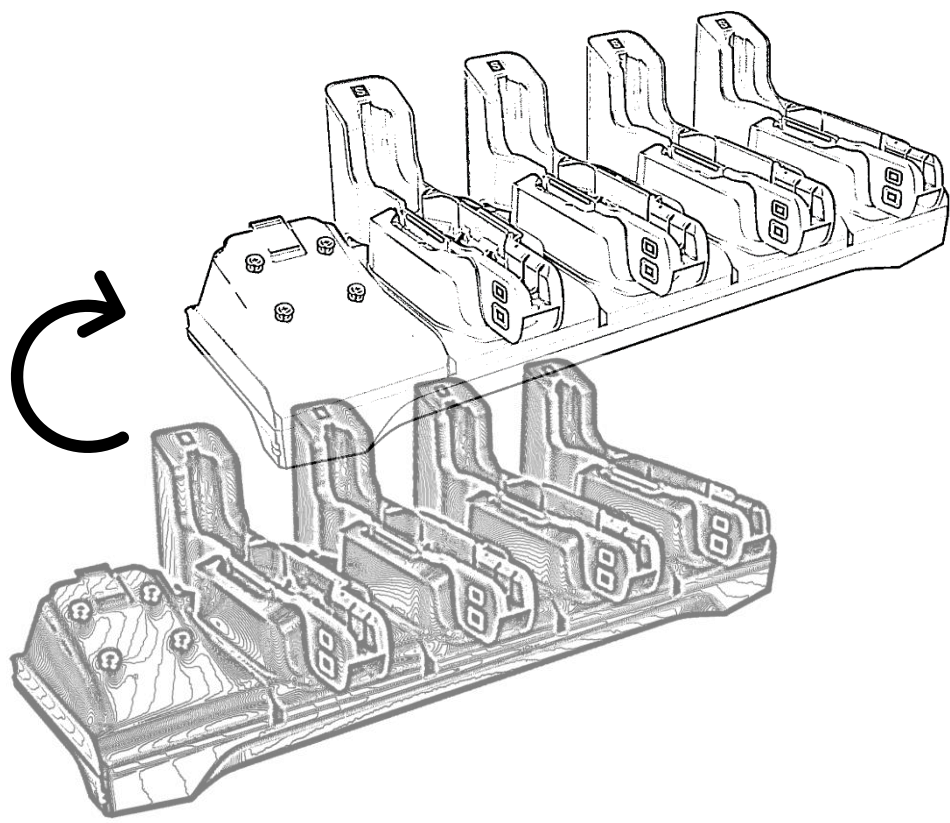
Four-slot charge-only ShareCradle with T-adapters for 10" tablets. Charges up to four 10" ET40/ET45 tablets.

- Accommodates tablet with or without rugged boot, expansion back, or payment back.
- T-adapter in each device slot can be flipped/rotated to fit a tablet only configuration or tablet with rugged boot configuration.
- Includes space to install optional four-slot PowerPack battery charger.
- 10" tablet charges from 0–80% in less than 2.5 hours.

Sold separately:

- Power supply [SKU# PWR-BGA12V108W0WW](#) and DC cable [SKU# CBL-DC-382A1-01](#).
- Country-specific AC line cord (options listed in this document) compatible with the power supply SKU.
- Optional 4-slot PowerPack battery charger [SKU# SAC-ET5X-4PPK1-01](#) and related power cables.

## Multi Slot Cradles



### Device cradle cup replacement kit

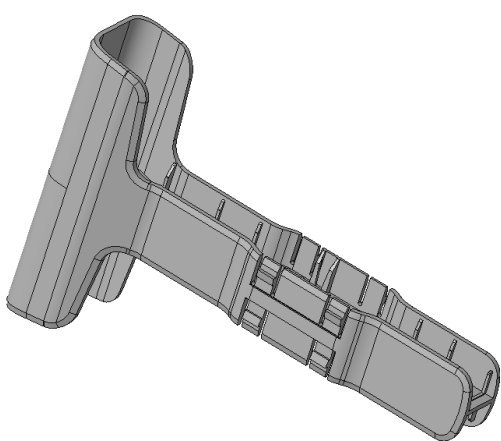
SKU# CRDCUP-4S-ET5TOET4

Replacement kit for conversion of ET5X multi-slot cradle to ET4X multi-slot cradle.

- Supports conversion from ET5X multi-slot cradle [SKU# CRD-ET5X-SE4CO3-01](#)
- Also supports conversion from select ET5X multi-slot cradle [SKU# CRD-ET5X-SE4CO2-01](#) with base identifier AS-000254-11 or greater
- Does not include the T-adapters needed to hold ET4X tablets.

Sold separately:

- Required T-adapters for tablets to place in cups [SKU# ADP-ET4X-8T4S1-04](#) or [SKU# ADP-ET4X-10T4S1-04](#) for 8" or 10" respectively.

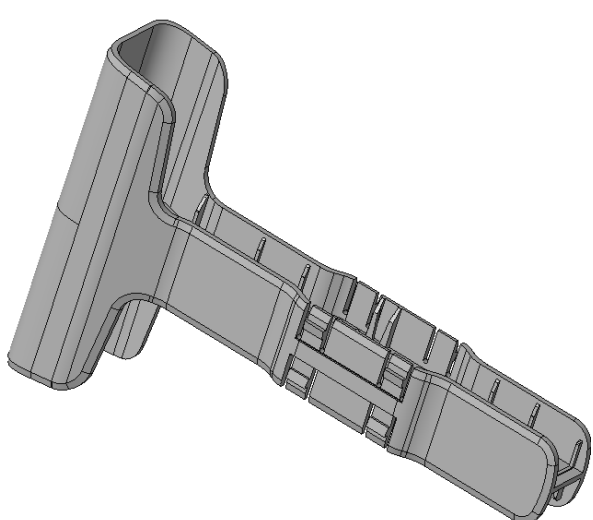


### T-adapters for 8" tablets used in multi slot cradles

SKU# ADP-ET4X-8T4S1-04

Optional T-adapter for 8" ET40 and ET45 for use in ET4X Four Slot Cradle (Pack of 4).

- Used as a spare/replacement of T-adapters, or for use with cradle cup replacement kit, or to mix-and-match 8" and 10" tablets in the same cradle
- Accommodates tablet with or without rugged boot, expansion back, or payment back. T-adapter in each device slot can be flipped/rotated to fit a tablet only configuration or tablet with rugged boot configuration.



### T-adapters for 10" tablets used in multi slot cradles

SKU# ADP-ET4X-10T4S1-04

Optional T-adapter for 10" ET40 and ET45 for use in ET4X Four Slot Cradle (Pack of 4).

- Used as a spare/replacement of T-adapters, or for use with cradle cup replacement kit, or to mix-and-match 8" and 10" tablets in the same cradle
- Accommodates tablet with or without rugged boot, expansion back, or payment back. T-adapter in each device slot can be flipped/rotated to fit a tablet only configuration or tablet with rugged boot configuration.

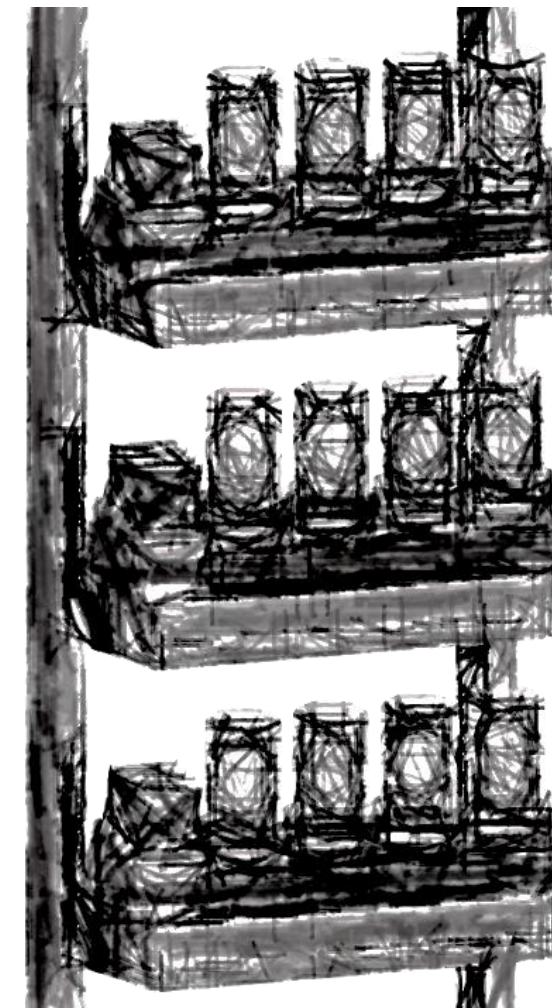


## Mounting options for chargers

### Rack mounting for space optimization

Optimize available space by mounting any set of four-slot chargers for ET4X on a standard, 19-inch server rack.

- Ideal for customers that have several devices per location.
- Compatible with all multi-slot chargers for ET4X.



### Mounting bracket

SKU# BRKT-SCRD-SMRK-01

Use multi-slot ShareCradle mounting bracket to attach four-slot ET4X cradles to the wall or mount on a 19-inch server rack.

- Offers cable routing slots and removable tray that stores / conceals power supply.
- Adjustable orientations include Horizontal or 25° angle for high density easy access

## Other mounting options with power

### VESA mounting for versatility

Create an ability to mount ET40 and ET45 tablet to any VESA mount.

- Ideal for customers that are retrofitting or have a fixed kiosk need.



### VESA Adapter for 10" Tablet

SKU# ZBK-ET4X-10VESA-01

Expansion Back for 10" ET40 and ET45 tablet with VESA Pattern and DC power input

- Replaces existing battery cover and screws down to back of tablet.
- Powers the tablet using the pogo connectors on the back of the tablet.

Sold separately:

- Power supply SKU# PWR-BGA12V50W0WW and DC cable SKU# CBL-DC-388A2-01.
- Country-specific AC line cord (options listed in this document) compatible with the power supply SKU.



## Expansion Backs and PowerPacks



### Expansion Backs for 8" and 10" Tablets

8" SKU# ZBK-ET4X-8BTRYBK1-01

10" SKU# ZBK-ET4X-10BTRYBK1-01

Expansion Back for 8" tablets and 10" tablets for use with PowerPack batteries. Includes rotating hand strap and scanner trigger buttons.

- Replaces existing battery cover and screws down to back of tablet.
- May be used for ergonomics only, if necessary, for rotating handstrap and scan buttons.
- Use of PowerPack battery is optional. Battery compartment needs to be covered with a plastic cap/plug in lieu of PowerPack battery.
- PowerPack in Expansion Back on a tablet is charged only when tablet is placed in a cradle.

Sold separately:

- PowerPack battery SKU# BTRYET5X-PRPK2-01
- Optional 4-slot PowerPack battery charger SKU# SAC-ET5X-4PPK1-01 and related power cables.



### PowerPack Battery for Expansion Backs

SKU# BTRY-ET5X-PRPK2-01

India SKU# BTRY-ET5X-PRPK2-IA

Optional PowerPack battery for use in ET4X and ET5X expansion backs for 8" and 10" tablets. Rechargeable Li-Ion 7.6V 3400mAh 25.84Wh.

- Battery charges internal battery of ET4X tablet.
- Has 5 LED indicators for PowerPack charge status.
- Hot swappable in the expansion back, enables continuous use across multiple shifts.

Sold separately:

- Optional 4-slot PowerPack battery charger SKU# SAC-ET5X-4PPK1-01 and related power cables.

### Expansion Backs and PowerPacks



#### Four Slot PowerPack Battery Charger

SKU# SAC-ET5X-4PPK1-01

Toaster-style battery charger. Charges up to four PowerPack batteries.

- Replaces existing battery cover and screws down to back of tablet.
- May be used for ergonomics only, if necessary, for rotating handstrap and scan buttons.
- Use of PowerPack battery is optional. Battery compartment needs to be covered with a plastic cap/plug in lieu of PowerPack battery.
- PowerPack in Expansion Back on a tablet is charged only when tablet is placed in a cradle.

Sold separately:

- Power supply SKU# PWR-BGA12V50W0WW and DC cable SKU# CBL-DC-388A1-01.
- Country-specific AC line cord (options listed in this document) compatible with the power supply SKU.
- PowerPack battery SKU# BTRYET5X-PRPK2-01



# Accessories that power devices



## Power supply, cables, and adaptors

### Power supply and cable matrix

SKU#	Description	Note
PWR-BGA12V108W0WW	Level VI AC/DC power supply brick. AC Input: 100–240V, 2.8A. DC Output: 12V, 9A, 108W.	Use with: • CRD-ET4X-4S8I1-01 • CRD-ET4X-4S10I1-01
CBL-DC-382A1-01	DC line cord for running multi-slot cradles from a single Level VI power supply.	
PWR-BGA12V50W0WW	Level VI AC/DC power supply brick. AC Input: 100-240V, 2.4A. DC Output: 12V, 4.16A, 50W.	Use with: • CRD-ET4X-1SCG1-01 • SAC-ET5X-4PPK1-01 • ZBK-ET4X-10VESA-01 • STND-ET4X-10POS1-01
PWR-BGA24V150W1WW	Level VI AC/DC Power Supply Brick. AC Input: 100-240V, 2.0A. DC Output: 24V, 6.25A, 150W.	Use with: • CRD-BLNK-1SNHP-01
CBL-DC-388A1-01	DC line cord for running single-slot cradles or battery chargers from a single Level VI power supply.	Use with: • CRD-ET4X-1SCG1-01 • SAC-ET5X-4PPK1-01
CBL-DC-388A2-01	DC line cord for running VESA mounts and Presentation Stand from a single Level VI power supply. 12VDC, 4.16A, 1.8m length.	Use with: • ZBK-ET4X-10VESA-01 • STND-ET4X-10POS1-01
CBL-TC5X-USBC2A-01	USB C to USB A communications and charging cable, 1m long	Use with: • PWR-WUA5V12W0XX
PWR-WUA5V12W0XX	USB type A power supply adaptor (wall wart). Replace 'XX' in SKU as follows to get the right plug style based on region: <b>US</b> (United States) • <b>GB</b> (United Kingdom) • <b>EU</b> (European Union) <b>AU</b> (Australia) • <b>CN</b> (China) • <b>IN</b> (India) • <b>KR</b> (Korea) • <b>BR</b> (Brazil)	Use with a communications & charge cable to directly charge ET40 / ET45 device drawing power from a wall socket.

### Country-specific AC line cords: grounded, 3-prong



SKU#	Country / region	Note
23844-00-00R	North America (United States, Canada, Mexico)	7.5 feet long
50-16000-678R	North America (United States, Canada, Mexico)	3 feet long
50-16000-221R	North America (United States, Canada, Mexico)	6 feet long
50-16000-727R	Brazil	1.8 meters (6 feet) long
50-16000-680R	Argentina	1.8 meters (6 feet) long
50-16000-217R	American Samoa, Australia, New Guinea	1.8 meters (6 feet) long
50-16000-218R	Japan	1.8 meters (6 feet) long
50-16000-219R	Antigua, Bermuda, Burma, Channel Islands, Hong Kong, Iraq, Ireland, Malaysia, North Ireland, Scotland, Singapore, United Kingdom, Wales	1.8 meters (6 feet) long
50-16000-257R	China	1.8 meters (6 feet) long
50-16000-220R	Europe, Abu Dhabi, Bolivia, Dubai, Egypt, Iran, Korea, Russia, Vietnam	1.8 meters (6 feet) long
50-16000-671R	Italy	1.8 meters (6 feet) long
50-16000-669R	India, S. Africa, Africa	1.8 meters (6 feet) long

## Rugged boots



### Rugged boot for 8" tablets

SKU# [SG-ET4X-8EXOSKL1-01](#)

Rugged Boot / Exoskeleton for 8" ET40 and ET45 tablet

- Snap-on style; no tools needed
- Increases drop protection to 5.1ft / 1.55m
- Has hook points for D-clips and straps
- Leaves the battery door/cover area open to accommodate expansion backs that go to the back of the tablet
- Compatible with the single-slot and multi-slot cradles

Sold separately:

- D-clips [SKU# SG-ET4X-DCLIPS-01](#)
- Purpose-built shoulder strap [SKU# SG-ET5X-SHDRSTP-01](#) or [58-40000-007R](#)



### Rugged boot for 10" tablets

SKU# [SG-ET4X-10EXOSKL1-01](#)

Rugged Boot / Exoskeleton for 10" ET40 and ET45 tablet

- Snap-on style; no tools needed
- Increases drop protection to 5.1ft / 1.55m
- Has hook points for D-clips and straps
- Leaves the battery door/cover area open to accommodate expansion backs that go to the back of the tablet
- Compatible with the single-slot and multi-slot cradles

Sold separately:

- D-clips [SKU# SG-ET4X-DCLIPS-01](#)
- Purpose-built shoulder strap [SKU# SG-ET5X-SHDRSTP-01](#) or [58-40000-007R](#)



## Shoulder Straps and Hand Straps

*Note: Straps and D-clips, on tablet/boot in certain orientations, may not be compatible with the multi-slot cradles. Users may need to unhook the D-clips to charge tablet in the cradle.*



### Breakaway Shoulder Strap

SKU# [SG-ET5X-SHDRSTP-01](#)

Shoulder strap with breakaway safety feature for 8" and 10" ET4X tablets

- Requires Rugged Boot and D-clips to hook to use with ET4X tablet
- Has points near the clip that break when pulled, for safety

Sold separately:

- D-clips [SKU# SG-ET4X-DCLIPS-01](#)
- Rugged boot [SKU# SG-ET4X-8EXOSKL1-01](#) or [SG-ET4X-10EXOSKL1-01](#)



### Universal Shoulder Strap

SKU# [58-40000-007R](#)

Universal shoulder/cross-body strap for 8" and 10" ET4X tablets

- Requires Rugged Boot and D-clips to hook to use with ET4X tablet
- 1.5" wide, 22" to 50" length

Sold separately:

- D-clips [SKU# SG-ET4X-DCLIPS-01](#)
- Rugged boot [SKU# SG-ET4X-8EXOSKL1-01](#) or [SG-ET4X-10EXOSKL1-01](#)



### Hand Strap

SKU# [SG-ET5X-HNDSTP-01](#)

Hand strap for 8" and 10" ET4X tablets

- Requires Rugged Boot and D-clips to hook to use with ET4X tablet
- Plastic handle for secure grip and carrying

Sold separately:

- D-clips [SKU# SG-ET4X-DCLIPS-01](#)
- Rugged boot [SKU# SG-ET4X-8EXOSKL1-01](#) or [SG-ET4X-10EXOSKL1-01](#)



### D-clips

SKU# [SG-ET4X-DCLIPS-01](#)

Pair of D-clips that provides required hook points for a shoulder or hand strap on a rugged frame on 8" and 10" ET4X tablet

## Connect Cradles

These accessories allow for the ET40/45 tablet to connect to multiple purpose-built peripherals and enable Zebra Workstation Connect on an external monitor. The **Connect Cradle** offers connections for standard workstation setups (monitor, keyboard, mouse) while the **Connect Hub** provides three additional powered USB ports for setups utilizing POS-specific peripherals such as a payment terminal, receipt printer, or scanner.



### Connect Cradle

SKU# [CRD-ET4X-1SNWS-01](#)

Workstation Connect Cradle for 8"/10" ET40/ET45 tablets

- Allows to connect the tablet to an external monitor and peripherals.
- Ports on the cradle include HDMI, RJ45 ethernet, 3.5mm headset jack and four USB-A.
- Accommodates tablet with or without rugged boot. Incompatible with expansion back, or payment back on the tablet.
- Features a locking cable cover that secures and protects the connections of all peripherals in the back, preventing tampering or accidental disconnects

Sold separately:

- Power supply [SKU# PWR-BGA12V50W0WW](#) and DC cable [SKU# CBL-DC-388A2-01](#)
- Country-specific grounded AC line cord (options listed in this document) compatible with the power supply SKU.

### Connect Hub

SKU# [CRD-BLNK-1SNHP-01](#)

Point of Sale Connect Hub for 8"/10" ET40 and ET45 tablets

- Allows to connect a host device to an external monitor and multiple peripherals.
- Ports on the hub include HDMI, RJ45 ethernet, 3.5mm headset jack, four USB-A, 24V powered USB, and two 12V powered USB ports.
- Accommodates tablet with or without rugged boot. Incompatible with expansion back, or payment back on the tablet.
- Features a locking cable cover that secures and protects the connections of all peripherals in the back, preventing tampering or accidental disconnects

Sold separately:

- Charge and Communication cable [SKU# CBL-ET4X-SCHCAB-01](#)
- Power supply [SKU# PWR-BGA24V150W1WW](#)
- Mounting Bracket [SKU# BRKT-NWPC-DSKPS-01](#)
- Country-specific grounded AC line cord (options listed in this document) compatible with the power supply SKU.





## Presentation Stand

*ET40 and ET45 tablets are retail-ready and hospitality-ready with Zebra's Presentation Stand to facilitate a kiosk, check-in, self-service, information, or point-of-sale application.*



### Presentation Stand

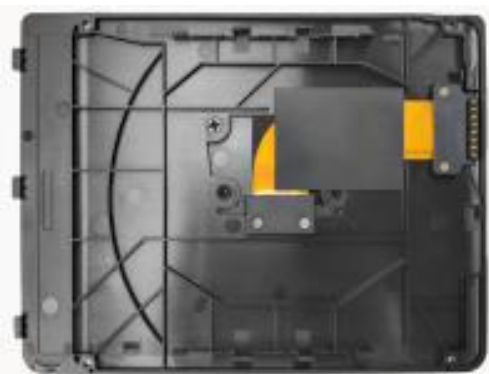
SKU# [STND-ET4X-10POS1-01](#)

Presentation Stand for 10" ET40 and ET45 tablets

- Tablet is mounted to the stand and receives power and USB communication using the battery door adapter
- Stand features height adjustment, tablet tilting for the best view angle, and base rotation to switch between associate and customer controlling the application content based on the tablet orientation
- Tablet is secured using an electro-mechanical lock; can be unlocked using an application on tablet or a back-up mechanical key
- Accommodates tablet with or without rugged boot
- Can be mounted securely to the desk/table using a desktop mounting plate
- When used with a Connect Hub for POS application, a communication "Y" cable is required.

Sold separately:

- Battery Door Adapter for Presentation Stand [SKU# MISC-ET4X-BTDPS-01](#) or [SKU# MISC-ET4X-PBTDS-01](#) in landscape or portrait orientation, respectively.
- Desktop Mounting Plate [SKU# BRKT-ET4X-DSKPS-01](#)
- Charge and Communication "Y" cable [SKU# CBL-ET4X-SCHCAB-01](#)
- Power supply [SKU# PWR-BGA12V50W0WW](#) and DC cable [SKU# CBL-DC-388A2-01](#)
- Country-specific grounded AC line cord (options listed in this document) compatible with the power supply SKU.



### Battery Cover for Presentation Stand

Landscape Orientation [SKU# MISC-ET4X-BTDPS-01](#)

Portrait Orientation [SKU# MISC-ET4X-PBTDS-01](#)

Battery Cover for 10" ET4X tablet to dock with the Presentation Stand

- Replaces existing battery cover and screws down to back of tablet in landscape orientation.
- Provides charge and communication.

## Accessories related to Connect Cradles and Stand

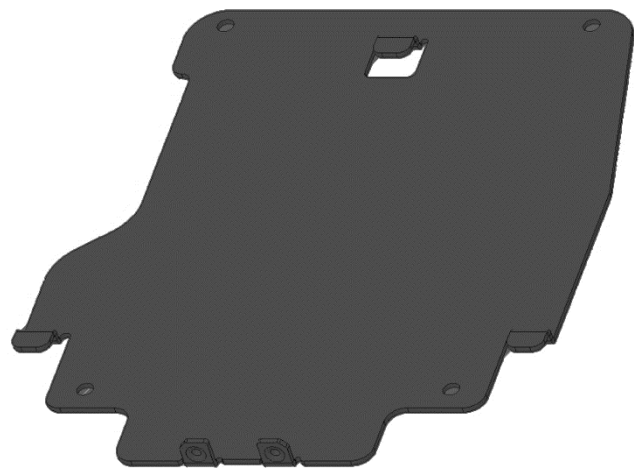


### Desktop Mounting Bracket for Connect Hub

SKU# BRKT-NWPC-DSKPS-01

Desktop Mounting Bracket for Connect Hub

- Enables secure mounting of Connect Hub to the desk/table
- Provides additional security against theft of the Connect Hub

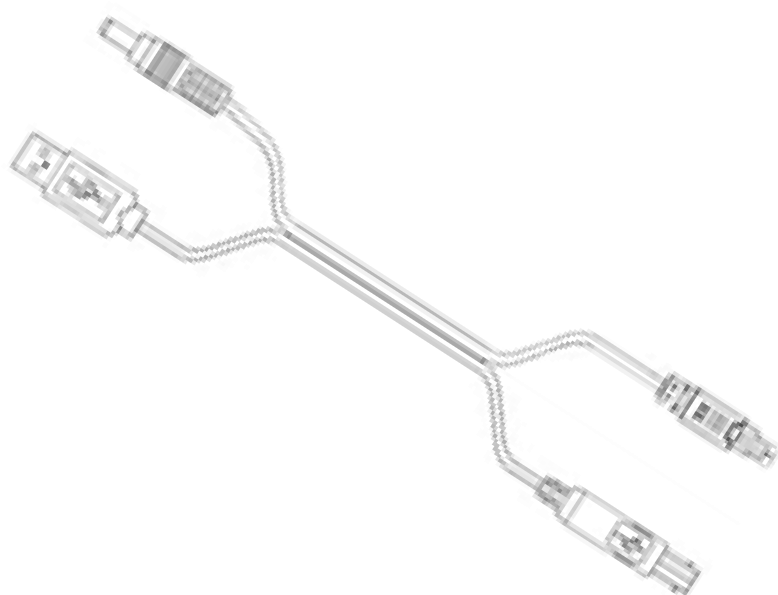


### Desktop Mounting Bracket for Presentation Stand

SKU# BRKT-ET4X-DSKPS-01

Desktop Mounting Bracket for Presentation Stand

- Enables secure mounting of Presentation Stand to the desk/table
- Provides additional security against theft of the stand and blocks the bottom USB and power ports



### Charge and Communication "Y" cable

SKU# CBL-ET4X-SCHCAB-01

Charge and Communication "Y" cable for Connect Hub and Presentation Stand

- Provides charge and enables communication between Presentation Stand and peripherals connected to the Connect Hub.
- Provides additional security against theft of the stand and blocks the bottom USB and power ports



### Presentation Stand Release Tool

SKU# KT-MC18-CKEY-20

Mechanical tool to release the tablet from the Presentation Stand (pack of 20)

- Used as a back up mechanical release and/or in lieu of SW application.



## Payment

*ET40 and ET45 tablets are retail-ready with Zebra's innovative payment backs providing not only secure and reliable connectivity to the industry leading PEDs but also superior ergonomic experience*



### Payment Back for Ingenico Link 2500i

SKU# ZBK-ET4X-8PAY2500I1-01

Payment back/sled for Ingenico Link 2500i on 8" ET40 and ET45 tablets

- Replaces existing battery cover and screws down to back of tablet
- Enables the more reliable USB connectivity to the tablet, alongside the BT and WiFi connectivity that comes with the Link2500i
- Payment sled rotates, comes with hand strap and features additional scanning key to provide ergonomic scanning and payment experience in both portrait and landscape orientations.
- Hand strap comes with quick release clip for easy detach and handovers
- Accommodates tablet with or without rugged boot
- Payment back supports charging of the Link2500i; charging behavior configurable through customer's payment application.



### Payment Back for Zebra PD20

SKU# ZBK-ET4X-8PAYPD201-01

Payment back/sled for Zebra PD20 on 8" ET40 and ET45 tablets

- Replaces existing battery cover and screws down to back of tablet
- Enables the more reliable USB connectivity to the tablet
- Payment sled rotates, comes with hand strap and features additional scanning key to provide ergonomic scanning and payment experience in both portrait and landscape orientations.
- Hand strap comes with quick release clip for easy detach and handovers
- Accommodates tablet with or without rugged boot
- Enables power management of PD20, optimized to last for a full shift plus.



Sold separately:

- Zebra Payment Device PD20

## Stylus and Tethers



### Plastic Passive Stylus Set

SKU# [SG-TC7X-STYLUS-03](#)

Pack of three passive stylus and coiled tethers

- Rigid plastic stylus, conductive Carbon-filled plastic material with 5.0 mm / 0.2" tip and 8.9 cm / 3.5" length is optimized for enterprise durability.
- Stylus has a clip and tether point to reduce loss. Tether to hand strap on Expansion Back, Rugged Boot, or D-clip on Rugged Boot.
- Stylus may be clipped on the rotating hand strap of the Expansion Back for PowerPack.



### Fiber Tipped Passive Stylus Set

SKU# [SG-STYLUS-TCX-MTL-03](#)

Pack of three passive stylus with Micro-Knit Hybrid Mesh Fiber Tip

- Heavy duty stylus, made from stainless steel and brass, with 12.7 cm / 5" length and Micro-Knit Hybrid Mesh fiber tip provides silent, smooth gliding use
- Ideal for use in rain or wet conditions
- Stylus has a clip and tether point to reduce loss.
- Stylus may be clipped on the rotating hand strap of the Expansion Back for PowerPack.

Sold separately:

- Coiled Tethers (pack of three) [SKU# KT-TC7X-TETHR1-03](#)



### Coiled Tether Set

SKU# [KT-TC7X-TETHR1-03](#)

Pack of three coiled tether for use with plastic or fiber tipped passive stylus

- Tether to hand strap on Expansion Back, Rugged Boot, or D-clip on Rugged Boot



## Headsets

### Close gaps, Open possibilities with Workforce Connect

Usher in a new era of transformation—one led by your frontline and powered by Zebra Workforce Connect. One where communication and information flows freely and gaps between teams, workflows and data are closed.

With Workforce Connect, hindered workers become effective problem solvers, contributing their best. Critical workflows are streamlined in one place, on one device, equipping workers with the information they need, right at their fingertips.

Only Zebra offers the most complete lineup of software and rugged hardware with the scalability, support and service needed to make the greatest impact where it counts—on the frontline.

[Learn more about you can elevate your frontline workers with Zebra Workforce Connect.](#)



### USB-C wired headsets for Workforce Connect

SKU# HDST-USBC-PTT1-01

PTT headset with USB-C connector; one-piece solution.

- For Push-To-Talk (PTT) applications with volume up/volume down/PTT buttons. Compatible with PTT Express/PTT Pro.
- Rotating earpiece allows for right or left ear configuration. Mono headset with microphone.
- Includes clip for attaching PTT button to clothing.

## Headsets

### Rugged Bluetooth and corded HD voice headsets for the most demanding industrial environments

When it comes to enabling speech-driven applications and voice communications in warehouses, manufacturing plants and outdoor yards, you need a headset that is specially designed for the job. The HS3100 Bluetooth and HS2100 corded headsets are loaded with features that offer everything you need in an industrial headset.

[Learn more about how these headsets deliver a superior voice experience.](#)



#### HS2100 wired rugged headsets

Corded HD voice headset for use with 8" and 10" ET40 and ET45 tablets

- Dustproof, spray proof, and waterproof.
- Noise cancellation for a superior voice experience in the noisiest environments.
- Swiveling boom mutes microphone allowing user to prevent voice pick applications from recognizing non-voice pick conversations.
- Feather-light for extraordinary comfort.
- Requires two adapter cables (sold separately): HS2100 to 3.5mm adapter [SKU# CBL-HS2100-3MS1-01](#) and USB-C to 3.5mm adapter [SKU# ADP-USBC-35MM1-01](#)

SKU#	Description
<a href="#">HS2100-OTH</a>	HS2100 Rugged Wired Headset Over-The-Head Headband includes HS2100 Boom Module and HSX100 OTH Headband Module
<a href="#">HS2100-BTN-L</a>	HS2100 Rugged Wired Headset (Behind-the-neck headband left)
<a href="#">HS2100-OTH-SB</a>	HS2100 Rugged Wired Headset (Over-the-head headband) includes HS2100 Shortened Boom Module and HSX100 OTH headband module
<a href="#">HS2100-BTN-SB</a>	HS2100 Rugged Wired Headset (Behind-the-neck headband left) includes HS2100 Shortened Boom Module and HSX100 BTN headband module



#### HS3100 wireless rugged headsets

Wireless Bluetooth voice headset for use with 8" and 10" ET40 and ET45 tablets

- Noise cancellation tuned for Voice-Directed Picking applications.
- Swap batteries on the fly — without losing the Bluetooth connection.
- Split-second tap-to-pair simplicity using NFC. 15 hours of battery power.

SKU#	Description
<a href="#">HS3100-OTH</a>	HS3100 Rugged Wired Headset Over-The-Head Headband includes HS3100 Boom Module and HSX100 OTH Headband Module
<a href="#">HS3100-BTN-L</a>	HS3100 Rugged Wired Headset (Behind-the-neck headband left)
<a href="#">HS3100-OTH-SB</a>	HS3100 Rugged Wired Headset (Over-the-head headband) includes HS3100 Shortened Boom Module and HSX100 OTH headband module
<a href="#">HS3100-BTN-SB</a>	HS3100 Rugged Wired Headset (Behind-the-neck headband left) includes HS3100 Shortened Boom Module and HSX100 BTN headband module
<a href="#">HS3100-SBOOM-01</a>	HS3100 Shortened Boom Module (includes microphone boom, battery and windscreen)



## Tablet-Related Spare / Replacements



### Spare/Replacement Internal Battery for 8" Tablets

SKU# BTRY-ET4X-8IN1-01

India SKU# BTRY-ET4X-8IN1-IN

Field Replaceable Internal Battery for 8" ET4X tablets. Rechargeable Li-Ion 3.87V 6100mAh 23.61Wh.

- PowerPrecision Battery. Obtain advanced battery state of health information including charge level and battery age based on usage patterns.
- Internal Battery charges only when inside the tablet.



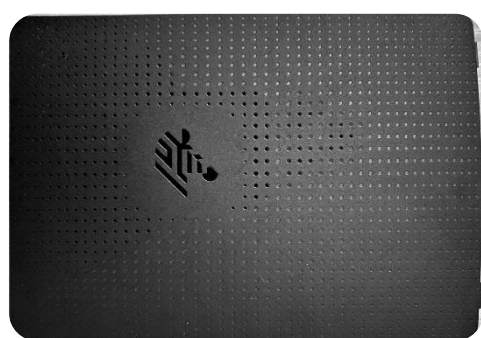
### Spare/Replacement Internal Battery for 10" Tablets

SKU# BTRY-ET4X-10IN1-01

India SKU# BTRY-ET4X-10IN1-IN

Field Replaceable Internal Battery for 10" ET4X tablets. Rechargeable Li-Ion 3.87V 7600mAh 29.41Wh.

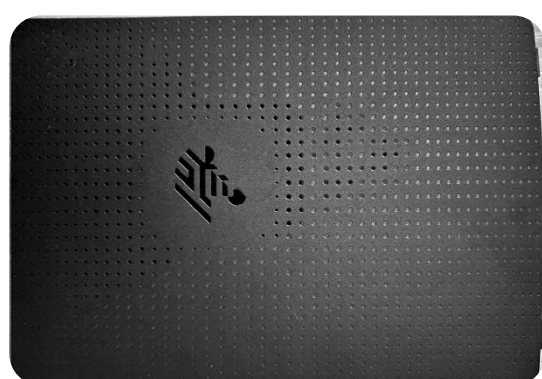
- PowerPrecision Battery. Obtain advanced battery state of health information including charge level and battery age based on usage patterns.
- Internal Battery charges only when inside the tablet.



### Spare/Replacement Battery Cover for ET4X Tablets

8" SKU# MISC-ET4X-8BATCVR-01

10" SKU# MISC-ET4X-10BATCVR-01



Spare/Replacement Cover for Battery Housing for 8" or 10" ET40 and ET45

- Ideal when the original battery cover is lost or damaged.

### Accessories-Related Spare / Replacements



#### Spare/Replacement Rotating Hand Strap

SKU# SG-ET5X-RHTP1-01

Spare/Replacement Rotating Hand Strap used on expansion back

- Adjustable and 360-degree rotatable handstrap that mounts on the back of the expansion back for ET4X SKU# ZBK-ET4X-8BTRYBK1-01 or SKU# ZBK-ET4X-10BTRYBK1-01
- Provides secure ergonomic option for holding the device



## Third Party Accessories for ET40 and ET45 Tablets

Products on the following pages are not designed by Zebra Technologies.  
Zebra does not formally test nor extend support to these products.





RAM-HOL-ZE20PD2U  
RAM® Power + Dual USB Dock  
for Zebra ET40/ET45 8"



Included inserts for docking the ET4x without Rugged Frame

## RAM® TOUGH-DOCK™ FOR ZEBRA ET40/ET45 8" & 10"

RAM® Mounts rugged mount and docking solutions enable Zebra's new ET40 & ET45 rugged tablets for field use. These docks come with many different options to keep your device connected to power and have the ability to add peripherals to your solution such as scanners, printers, speakers and more. Pair with any modular RAM® Mounts components to create a custom mounting solution for your forklift, truck, workstation and more!



Pogo pin docking contacts for intuitive connectivity and port-protection



**LEARN MORE**

### DOCKING OPTIONS



RAM-HOL-ZE20PU  
RAM® Powered Dock  
for Zebra ET40/ET45 8"



RAM-HOL-ZE21PDKLU  
RAM® Locking Power + Single USB Dock  
for Zebra ET40/ET45 10"

### ACCESSORIES



RAM-GDS-ROTO2-ZE20U  
GDS® Roto-Mag™  
w/ Battery Cover  
for Zebra ET40/ET45 8"



RAM-GDS-ROTO2-ZE21U  
GDS® Roto-Mag™  
w/ Battery Cover  
for Zebra ET40/ET45 10"



RAM-GDS-HS1-ZE21U  
GDS® Hand-Stand™  
w/ Kickstand  
for Zebra ET40/ET45 10"



RAM-GDS-HS2-ZE21U  
GDS® Hand-Stand™  
for Zebra ET40/ET45 10"

### COMPATIBLE CHARGERS



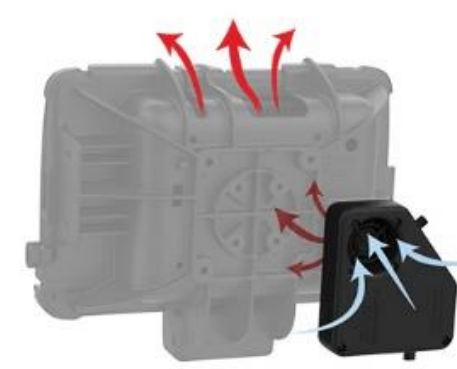
RAM-GDS-CHARGE-V9U  
GDS® 20-60VDC Input (12VDC Output)  
Hardwire Charger w/ DC Cable



RAM-GDS-CHARGE-V10U  
GDS® 10-32VDC Input (12VDC Output)  
Hardwire Charger w/ DC Cable



RAM-VENT1-RCT-50U  
RAM® Vent-Temp™ Module  
for Vehicle Heating & Cooling Air Systems



RAM-DOCK-HEATER1-DU  
RAM® Temp-Right™ Module  
Regulated Heater



RAM-GDS-FAN1U  
GDS® Fan Module  
12-VDC Axial Cooling Fan

Zebra ET40/ET45 8"(ZE20) and 10" (ZE21)						Patented and Pats. Pend.
PART NUMBER	KEY LOCK	SINGLE USB PERIPHERAL	DUAL USB PERIPHERAL	TEMP-MODULE READY	RUGGED TOP LATCH	
RAM-HOL-ZE20PU				•		
RAM-HOL-ZE20PDU		•		•		
RAM-HOL-ZE20PD2U			•	•		
RAM-HOL-ZE20PKLU	•			•	•	
RAM-HOL-ZE20PDKLU	•	•		•	•	
RAM-HOL-ZE20PD2KLU	•		•	•	•	
RAM-HOL-ZE20PNLLU				•	•	
RAM-HOL-ZE21PU				•		
RAM-HOL-ZE21PDU		•		•		
RAM-HOL-ZE21PD2U			•	•		
RAM-HOL-ZE21PKLU	•			•	•	
RAM-HOL-ZE21PDKLU	•	•		•	•	
RAM-HOL-ZE21PD2KLU	•		•	•	•	
RAM-HOL-ZE21PNLLU				•	•	





# INTELLISKIN® WITH GDS® TECHNOLOGY™

FOR ZEBRA ET40/ET45 8" & 10"



[LEARN MORE](#)



Ruggedizing everyday tasks like inventory management, proof of pickup and delivery, or mobile point of sale just became easier. With GDS® Tech™ docking solutions and IntelliSkin® case system, Zebra's new ET40 & ET45 rugged tablets can stay connected and protected. These docks and skins come with pogo pin technology to keep your device connected to power and have the ability to add peripherals while protecting the devices' ports. This standardized connectivity unlocks the GDS® Ecosystem™ of products for a seamless workflow.



## INTELLISKIN®



RAM-GDS-SKIN-ZE20C-NG  
IntelliSkin®  
for Zebra ET40/ET45 8"



RAM-GDS-SKIN-ZE21C-NG  
IntelliSkin®  
for Zebra ET40/ET45 10"

## DOCKING OPTIONS



RAM-GDS-DOCK-ZE20PU  
GDS® Powered Dock  
for Zebra ET40/ET45 8"



RAM-GDS-DOCKL-ZE21PD2U  
GDS® Locking Power + Dual USB Dock  
for Zebra ET40/ET45 10"

## ACCESSORIES



RAM-GDS-ROTO2-ZE20U  
GDS® Roto-Mag™  
w/ Battery Cover  
for Zebra ET40/ET45 8"



RAM-GDS-ROTO2-ZE21U  
GDS® Roto-Mag™  
w/ Battery Cover  
for Zebra ET40/ET45 10"



RAM-GDS-HS1-ZE21U  
GDS® Hand-Stand™  
w/ Kickstand  
for Zebra ET40/ET45 10"



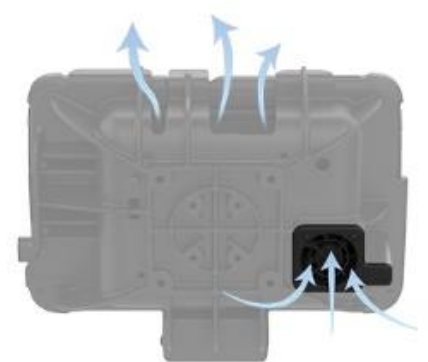
RAM-GDS-HS2-ZE21U  
GDS® Hand-Stand™  
for Zebra ET40/ET45 10"



RAM-VENT1-RCT-50U  
RAM® Vent-Temp™ Module  
for Vehicle Heating & Cooling Air Systems



RAM-DOCK-HEATER1-DU  
RAM® Temp-Right™ Module  
Regulated Heater



RAM-GDS-FAN1U  
GDS® Fan Module  
12-VDC Axial Cooling Fan

Zebra ET40/ET45 8"(ZE20) and 10" (ZE21)						Patented and Pats. Pend.
PART NUMBER	KEY LOCK	SINGLE USB PERIPHERAL	DUAL USB PERIPHERAL	TEMP-MODULE READY	RUGGED TOP LATCH	
RAM-GDS-DOCK-ZE20PU				•		
RAM-GDS-DOCK-ZE20PDU		•		•		
RAM-GDS-DOCK-ZE20PD2U			•	•		
RAM-GDS-DOCKL-ZE20PU	•			•	•	
RAM-GDS-DOCKL-ZE20PDU	•	•		•	•	
RAM-GDS-DOCKL-ZE20PD2U	•		•	•	•	
RAM-GDS-DOCKNLL-ZE20PU				•	•	
RAM-GDS-DOCK-ZE21PU				•		
RAM-GDS-DOCK-ZE21PDU		•		•		
RAM-GDS-DOCK-ZE21PD2U			•	•		
RAM-GDS-DOCKL-ZE21PU	•			•	•	
RAM-GDS-DOCKL-ZE21PDU	•	•		•	•	
RAM-GDS-DOCKL-ZE21PD2U	•		•	•	•	
RAM-GDS-DOCKNLL-ZE21PU				•	•	





# Rugged Mounts\*



Premier  
ISV Partner

\*Zebra VESA Adapter SKU#ZBK-ET4X-10VESA-01 accessory is required for attachment to the ENS VESA mounts.



## MD-501

### Technology Mounting Solution

- Includes AMPS and VESA 75/100MM mounting plate
- Universal mounting configurations, clamps securely to any square, rectangular, or round pole from 1.00" to 4.00"
- TPU over-molded steel clamps provide strength & vibration dampening
- Capable of independently adjusting rotation angle at both ends
- Supports solutions up to 8 lbs.



## MD-3008

### Scanner Bucket

- Accommodates most Zebra scanners
- Opening on the bottom of the cradle allows user to scan while scanner is holstered
- Easily mounts to the AMPS pattern on the MD-501
- Intuitive two-piece design allows for a customized fit



## UT-5001

### Universal Tablet Holder

- Universal tablet mount attachment for MD-501
- Uniquely adjustable for almost unlimited use cases
- Easily adjust screen angle for optimum user experience
- Compatible with 7" to 10" tablets (limitations may apply)



## DM-10-102

### Display Mount

- Single VESA 75/100MM mount, supports up to 7lbs.
- Standard Duty with Free Standing Base
- Also available without Free Standing Base



## C-MAG Series

### Display Mount

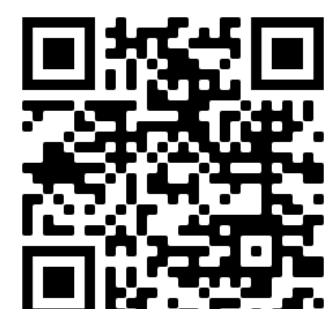
- Securely Mounts VESA 75/100MM or AMPS compatible devices up to 8lbs
- Dual knuckle allows for easy adjustments and full articulation
- No drilling required – 120lbs magnet pull force provides easy, secured damage-free installation



## UT-301

### Universal Rugged Cradle

- Simple & secure – for 7-9" computing devices, mounts via VESA 75MM
- Lock and key supplied for extra security, non-electronic mount
- Simple 3-point adjustment



Learn more about our solutions at [ens-co.com](http://ens-co.com)





# Versatile Mounts\*



Premier  
ISV Partner

\*Zebra VESA Adapter SKU#ZBK-ET4X-10VESA-01 accessory is required for attachment to the ENS VESA mounts.



## MM-10-116

### 16" Extruded Pole

- 1.75" (45mm) dia. Pole
- Mounting Channels on all 4 sides
- Back-to-back devices at same height
- Hides and protects cables
- Available in 24" height also



## MM-10-302

### Double Pivot Mount

- Provides display tilt (up 90°/down 32°)
- Provides 330° display rotation
- 75mm/100mm VESA mounting
- Supports up to 15lbs monitors



## MM-10-199

### 16" (406mm) Free Standing Base

- Ideal for glass and stone countertops
- Allows cables to route through counter
- Hides cables under base
- Corner pads protect counter



## MM-10-601

### Scanner Mount

- Universal design for handhelds
- Attaches to VESA displays
- Width adjustable
- For monitors 15" to 20" wide



## MM-10-203

### Channel Mount

- Vertically adjustable on Extruded Pole
- Attaches Displays, Payment, Printers to Pole



## MM-10-204

### Channel Arm

- Vertically adjustable on Extruded Pole
- Attaches displays, payment, printers to Pole
- Extends device away from Pole 8"

## MM-10-901

### Large Cable Bundle Cover Kit

- Ideal for All-in-One PC's
- Hides and protects cable bundles up to 1" dia.
- Allows cables to route through counter



Fully assembled MM-1000



Learn more about our solutions at [ens-co.com](http://ens-co.com)





# ZEBRA ET4X 8" & 10" SLIM DOCKING STATION



## Manage your fleets with precision.

Combine the Zebra ET4X enterprise tablet with Gamber-Johnson's new vehicle docking station, with dual powered USBs for added productivity. Each powered USB port provides 1.5A, strong enough to power a long-range scanner and a printer or other peripheral. This dock will keep the ET4X tablet charged all day long and provides the port replication to connect the right peripheral devices to get the job done.

WEIGHT	HEIGHT	WIDTH	DEPTH
1.3 lbs / 0.58 kg	10.1 in / 26.65 cm	7.75 in / 19.69 cm	2.8 in / 7.11 cm

### OTHER FEATURES

- Zebra's rugged boot is required in order to work with docking station
- Dual powered USB ports; 1.5A for each port for connecting peripheral devices
- 10-40V power input range to support a wide range of mobile applications
- **PATENTED SLAM LATCH** for simple, one-handed docking and release operation
- POGO pin connector and internal power supply provides power to charge the Zebra tablet while docked
- Bare Wire, 2.5mm DC Power Jack, and Lite Port Replication options



Barrel Key lock for theft deterrence

All features of tablet are functional while the tablet is safely docked

Designed for the Zebra ET4X 8" and 10" rugged tablet



Composite design for reduced overall weight

VESA 75mm mounting pattern; compatible with Zirkona mounting products

Can be mounted on a flat vertical surface

### PORT REPLICATION

- (2) USB 2.0 - each with 1.5A power
- **Lite full board docking station:**
  - (2) USB 2.0
  - (1) Serial Port
  - (1) Ethernet Port

### ACCESSORIES

- Rugged Lite Keyboard (7160-1449-00)



### PRODUCT SELECTION

ITEM NUMBER	DESCRIPTION
7160-1801-00	Zebra ET4X 8" SLIM Dual USB Docking Station (Bare Wire)
7160-1801-04	Zebra ET4X 8" SLIM Dual USB Docking Station (2.5mm DC Power Jack)
7160-1801-20	Zebra ET4X 8" SLIM Docking Station (Lite Full Board Replication)
7160-1807-00	Zebra ET4X 10" SLIM Dual USB Docking Station (Bare Wire)
7160-1807-04	Zebra ET4X 10" SLIM Dual USB Docking Station (2.5mm DC Power Jack)
7160-1807-20	Zebra ET4X 10" SLIM Docking Station (Lite Full Board Replication)
7160-1801-02	Zebra ET4X 8" SLIM Dual USB Docking Station (Cigarette Adapter)
7160-1801-90	Zebra ET4X 8" SLIM Cradle (no electronics)
7160-1807-02	Zebra ET4X 10" SLIM Dual USB Docking Station (Cigarette Adapter)
7160-1807-90	Zebra ET4X 10" SLIM Cradle (no electronics)





**RUGGED. RELIABLE. RESPONSIVE.**



# ZEBRA ET4X 10" 2-IN-1 ATTACHABLE KEYBOARD

Rugged products designed for the mobile worker everywhere.

Gamber-Johnson's attachable keyboard for the Zebra ET4X Series enterprise rugged tablet is the perfect solution for the mobile worker. Install the tablet in seconds to add the functionality of a keyboard with a smooth responsive feel with features you are familiar with. The USB port can be used to attach a flash drive or another peripheral and the keyboard's hard carry handle makes it easy to carry your tablet/keyboard combo anywhere. The compact design of the ET4X Series tablet and attachable keyboard make it a perfect productivity tool for the mobile worker looking for a rugged portable solution they can take anywhere.

## SPECIFICATIONS

- USB-A (2.0) Port: 5V@500mA
- Temperature range: OPERATING: -20°C to 60°C STORAGE: -40°C to 85°C
- Designed to IP54 ingress specifications
- Two million actuation per key
- RoHS, FCC Class B, CE, REACH, and C-Tick Certifications

## PORT REPLICATION

- (2) USB 2.0 - each with 1.5A power

## WEIGHT & DIMENSIONS

WEIGHT	HEIGHT	WIDTH	DEPTH
1.31 lbs / 0.59 kg	2.03 in / 5.15 cm	10.8 in / 27.4 cm	9.71 in / 24.6 cm

## FEATURES

- Designed for the Zebra ET4X 10" Series tablet without rugged frame Integrated center touchpad with right and left mouse buttons
- 76-key keyboard with 12 function keys for custom operation
- Silicone rubber keys with white lettering and a rugged polycarbonate case
- Easy to install - POGO docking connector links the tablet to the keyboard
- Easily connect the tablet to the keyboard; slip the bottom of the tablet into the case and snap the top of the case over the tablet
- USB 2.0 port (500mA) to attach a mouse, another peripheral, or flash drive
- Charge the tablet directly from the tablet's USB-C port
- All computer features including camera, microphone, speakers, USB-C port, barcode scanner and all control buttons are accessible when the tablet is docked onto the keyboard
- Friction hinge and screen footrest with rubber feet help position the tablet at a comfortable viewing angle
- Hard carry handle with two attachment rings for shoulder strap enhance portability
- Low-profile ergonomic design for ease of use in a mobile environment
- Available in US English (7160-1789-00), UK (7160-1789-01), German (7160-1789-02), French (7160-1789-03), Spanish (7160-1789-04), Contact Gamber-Johnson for other language options.

## ACCESSORIES

- Shoulder Strap (7400-020-01)

## PRODUCT SELECTION

ITEM NUMBER	DESCRIPTION
7160-1789-00	KEYBOARD, 2-IN-1 ATTACH, ZEBRA 4TX, ENGLISH (USA)
7160-1789-01	KEYBOARD, 2-IN-1 ATTACH, ZEBRA 4TX, ENGLISH (UK)
7160-1801-02	KEYBOARD, 2-IN-1 ATTACH, ZEBRA 4TX, GERMAN
7160-1789-03	KEYBOARD, 2-IN-1 ATTACH, ZEBRA 4TX, FRENCH
7160-1789-04	KEYBOARD, 2-IN-1 ATTACH, ZEBRA 4TX, SPANISH



# ET40 / ET45 CRADLES



## FORKLIFT

Our rugged cradles keep your devices safely mounted to ensure your warehouse runs smoothly and reduces costs.



## TRANSPORTATION

Keep your device easily accessible, charged and secure with convenient one-handed docking and removal.



## RETAIL

Whether you are line busting, creating a POS or engaging in inventory control, keep your ET4x tablet secure and ready to use.



EXPLORE OUR PRODUCTS

- Custom-fit design for tablets with or without rugged boot
- Easy one-handed docking and removal of the device
- Heavy-duty materials protect your tablet and increase longevity
- Fast lead times of 2-4 weeks for large deployments
- Multiple mounting options to fit the exact use case



**Lock Options:**



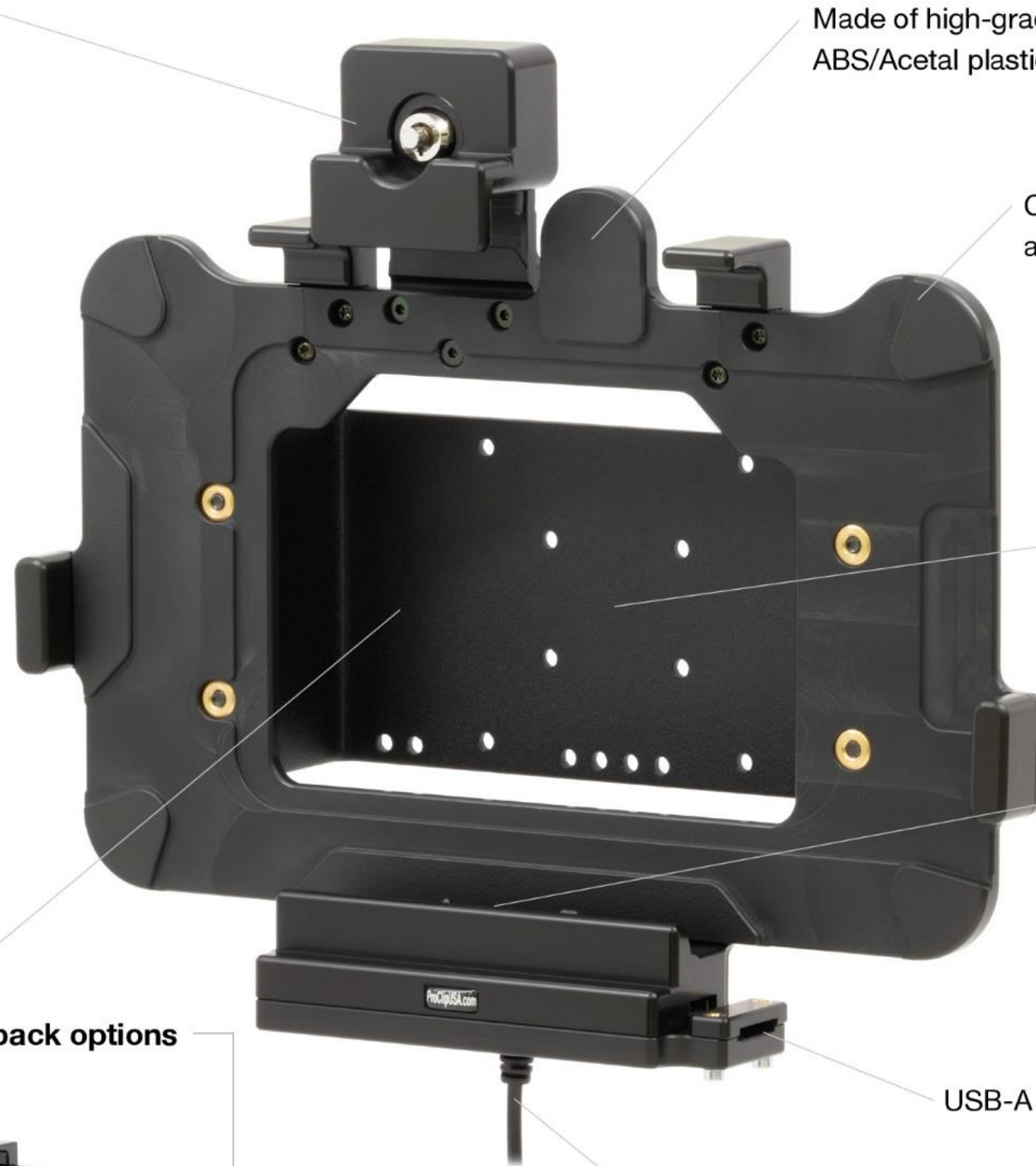
Key Lock



Spring Lock



No Lock



Made of high-grade  
ABS/Acetal plastic

Custom-fit design provides easy  
access to all buttons and ports

AMPS or VESA 75 mounting

Pogo pin charging  
extends device life

USB-A host port with cable clamp

**Expansion back or flat back options**



**Non-Charging and  
Charging Options**



USB with CLA



Hard-Wired



AC Wall Adaptor

**Mounting Options**



Pedestal Mounts



Custom Vehicle Mounts



Forklift Mounts



Desktop Mounts



EXPLORE OUR PRODUCTS

For European Sales Contact  
Brodit AB, Sweden. brodit.se







# Mobile Docking Solutions for Zebra ET4X 8" & 10"

## RapidDoc Kiosk Pro



- Fixed and Mobile docking solution for 8" & 10" Zebra ET4x series tablets.
- Zebra ET4x tablet is secured and powered when docked.
- Ability to undock tablet using RFID or Android-based Pin Code application.
- USB-C PD interface supported, with negotiated fast charge and USB 2.0 data rates.
- Includes 6x USB 2.0 ports plus Ethernet.
- Integrated payment device support for Ingenico or Verifone EMVs.

Part Number	Description
185-01338	RapidDoc Kiosk for Zebra ET4X
185-01339	RapidDoc Kiosk for Zebra ET4X (Payment Support)
185-01073	Ingenico Link 2500i EMV Cradle
185-01307	Verifone E285 EMV Cradle
185-00346	Verifone E355 EMV Cradle
185-00700	Ingenico iSMP4 Cradle

## RapidDoc PoE+ Wall Mount



- Fixed and Mobile docking solution for the 8" & 10" Zebra ET4x.
- Zebra ET4x tablet is secured and powered when docked.
- Undock tablet either using RFID or Pin Code.
- Install directly onto wall or an existing VESA Mount.
- Wired data communication via Ethernet.
- Powered via PoE+

Part Number	Description
185-01340	RapidDoc Wall Mount for Zebra ET4X
185-01307	RapidDoc Wall Mount for Zebra ET4X (Non-RFID)

## Accessories



One-handed Dock and Undock with Magnets and Latches



USB-C based Power and Data Interface supporting Negotiated Power Delivery



Optional EMV Payment Cradles for Ingenico and Verifone Payment Devices

Click or Scan the code



to shop & learn more!





# Fixed Docking Solutions for Zebra ET4X 8" & 10"

## Pipeline Table & Floor Mount



- Flexible fixed mount solution with tilt and swivel capability for a heightened customer experience.
- Integrated tablet charging and USB connectivity.
- Cable management for clean installation, no exposed cables.
- Various mounting options available – thru-hole counter mount, weighted baseplate or suction cups.

Part Number	Description
185-01342	8" Pipeline Kiosk for Zebra ET4X (Table)
185-01339	42" Pipeline Kiosk for Zebra ET4X (Floor)
185-00469	Optional Base Plate for 8" Pipeline
185-00471	Optional Base Plate for 42" Pipeline

## Pipeline Tabletop Kiosk



- Designed for tabletop installations where user-provided hub or dongles are required
- Spill proof cover protects peripheral connections in high moisture environments, kitchens, coffee shops and restaurants.
- Flexible fixed mount solution with tilt and swivel capability for a heightened customer experience.
- Integrated tablet charging and USB connectivity.
- Cable management for clean installation, no exposed cables.

Part Number	Description
185-01344	Pipeline Tabletop Kiosk for Zebra ET4X

## Gravity VESA Tabletop Stand



- 75mm & 100mm VESA Mount.
- Tablet can flip front to back to supporting customer interaction.
- Cables route through the table stand for an elegant install.

Part Number	Description
185-01345	Gravity VESA Tabletop Stand for Zebra ET4X

## Radius Floor Stand



- Robust and secure floor standing mount – 38.85" tall.
- Great for self-service kiosk applications.
- Easy installation and built-in cable routing.
- Internal space for customer-provided USB hubs, dongles or power strips.
- Security screws provide protection against break-in.

Part Number	Description
185-01346	Radius Floor Stand for Zebra ET4X

